

## FPD10-500-6000-30-S

### 10-Way, 0.5~6GHz

Features:  
 \* Small Size  
 \* Low Insertion Loss

Applications:  
 \* Amplifiers  
 \* Mixers  
 \* Antennas  
 \* Laboratory Test

#### Electrical

Frequency:	0.5~6GHz
Insertion Loss:	5.8dB max.
Input VSWR:	1.5 max.
Output VSWR:	1.5 max.
Isolation:	18dB min.
Amplitude Balance:	1.5dB max.
Phase Balance:	±12°
Impedance:	50Ω
Power @SUM Port:	30W max. as divider 2W max. as combiner

#### Mechanical

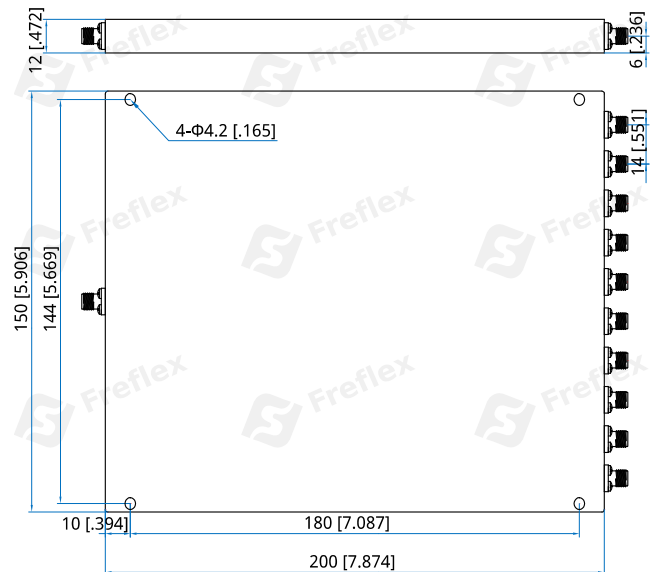
Size <sup>*1</sup> :	200*150*12mm 7.874*5.906*0.472in
Connectors:	SMA Female
Mounting:	4-Φ4.2mm through-hole

[1] Exclude connectors.

#### Environmental

Operation Temperature: -35~+75°C

#### Outline Drawings



Unit: mm [in]  
 Tolerance: ±0.5mm [±0.02in]

#### How To Order

**FPD10-500-6000-30-S**

Customization is available upon request.