

FPD12-0-5000-2-S

12-Way, DC~5GHz, 2W

Features:
 * Small Size
 * Low Insertion Loss

Applications:
 * Amplifiers
 * Mixers
 * Antennas
 * Laboratory Test

Electrical

Frequency:	DC~5GHz
Insertion Loss:	21.6±2dB max.
Input VSWR:	1.5 max.
Output VSWR:	1.5 max.
Isolation:	20dB min.
Amplitude Balance:	±2dB
Impedance:	50Ω
Power @SUM Port:	2W max. as divider

Mechanical

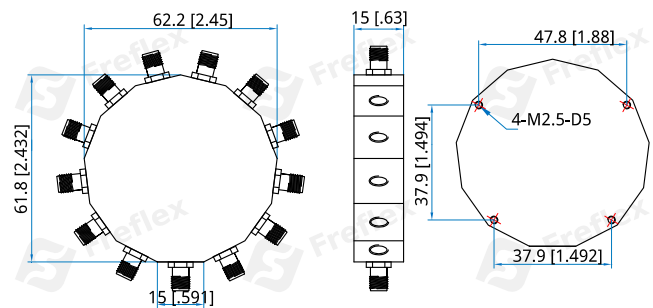
Size ^{*1} :	62.2*61.8*16mm 2.45*2.432*0.63in
Connectors:	SMA Female
Mounting:	4-M2.5, depth 5mm

[1] Exclude connectors.

Environmental

Operation Temperature:	-35~+75°C
------------------------	-----------

Outline Drawings



Unit: mm [in]
 Tolerance: ±0.5mm [±0.02in]

How To Order

FPD12-0-5000-2-S

Customization is available upon request.