

## FHC8-3200-4000-10-S

### 3.2~4GHz, 10W

**Features:**

- \* Broadband
- \* High Power
- \* Low Insertion Loss

**Applications:**

- \* Amplifiers
- \* Transmitter
- \* Laboratory Test
- \* Radar

**Electrical**

Frequency:	3.2~4GHz
Insertion Loss:	0.5dB max.
Amplitude Balance:	±0.6dB
Phase Balance:	180±5°
	180±4°@any 100MHz band
VSWR:	1.4 max.
Isolation:	18dB min.
Average Power:	10W max.
Impedance:	50Ω

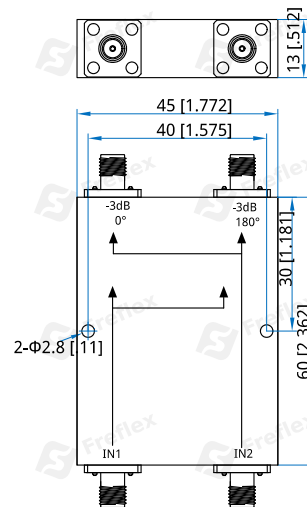
**Mechanical**

Size <sup>*1</sup> :	45*60*13mm
	1.772*2.362*0.512in
RF Connectors:	SMA Female
Mounting:	2-Φ2.8mm through-hole

[1] Exclude connectors.

**Environmental**

Temperature:	-40~+70°C
--------------	-----------

**Outline Drawings**


Unit: mm [in]  
Tolerance: ±0.3mm [±0.012in]

**How To Order**

**FHC8-3200-4000-10-S**

Customization is available upon request.