

FHC8-4000-8000-50-S

4~8GHz, 50W

Features:
 * Broadband
 * High Power
 * Low Insertion Loss

Applications:
 * Amplifiers
 * Transmitter
 * Laboratory Test
 * Radar

Electrical

Frequency:	4~8GHz
Insertion Loss:	0.6dB max.
VSWR:	1.6 max.
Isolation:	20dB min.
Amplitude Balance:	±0.5dB max.
Phase Balance:	±8° max.
Average Power:	50W
Impedance:	50Ω

Mechanical

Size*1:	28*26*11mm 1.102*1.024*0.433in
Connectors:	SMA Female
Mounting:	2-Φ2.2mm through hole

[1] Exclude connectors.

Environmental

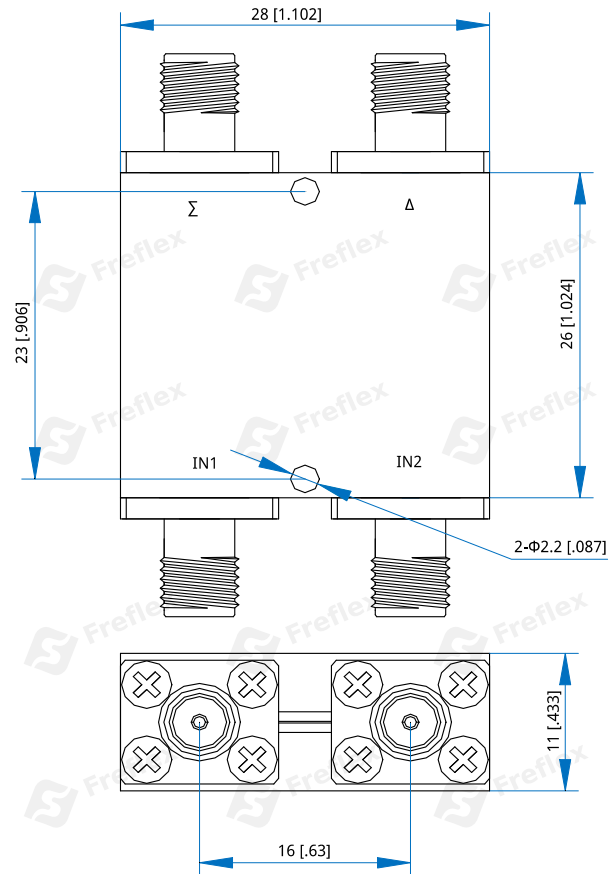
Operation Temperature: -55~+85°C

How To Order

FHC8-4000-8000-50-S

Customization is available upon request.

Outline Drawings



Unit: mm [in]
 Tolerance: ±0.2mm [±0.008in]