

## FHC8-7800-8500-30-S

### 7.8~8.5GHz, 30W

**Features:**

- \* Broadband
- \* High Power
- \* Low Insertion Loss

**Applications:**

- \* Amplifiers
- \* Transmitter
- \* Laboratory Test
- \* Radar

**Electrical**

Frequency:	7.8~8.5GHz
Insertion Loss:	0.5dB max.
VSWR:	1.5 max.
Isolation:	18dB min.
Amplitude Balance:	±0.5dB max.
Phase Balance:	±5° max.
Average Power:	30W max.
Impedance:	50Ω

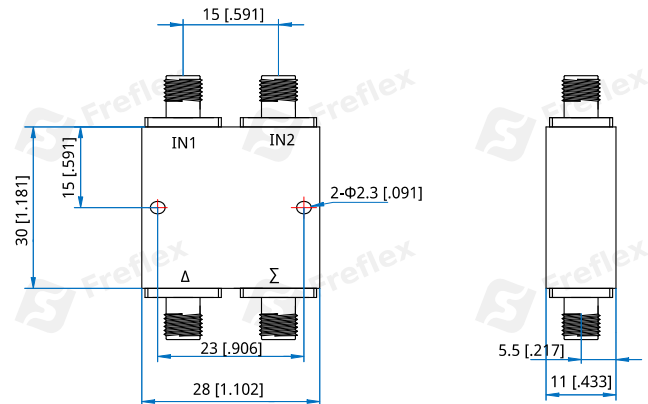
**Mechanical**

Size <sup>*1</sup> :	30*28*11mm 1.181*1.102*0.433in
Connectors:	SMA Female
Mounting:	2-Φ2.3mm through-hole

[1] Exclude connectors.

**Environmental**

Operation Temperature:	-40~+85°C
------------------------	-----------

**Outline Drawings**


Unit: mm [in]

Tolerance: ±0.5mm [±0.02in]

**How To Order**

**FHC8-7800-8500-30-S**

Customization is available upon request.