

FPD2-0-26500-1

2-Way, 0~26.5GHz

Features:
 * Small Size
 * Low Insertion Loss

Applications:
 * Amplifiers
 * Mixers
 * Antennas
 * Laboratory Test

Electrical

Frequency:	0~26.5GHz
Insertion Loss ^{*1} :	2dB max.
VSWR:	1.25 max.
Amplitude Balance:	±0.3dB max.
Phase Balance:	±3° max.
Impedance:	50Ω
Power @SUM Port:	1W max. as divider

[1] Excluding theoretical loss 6.0dB.

Mechanical

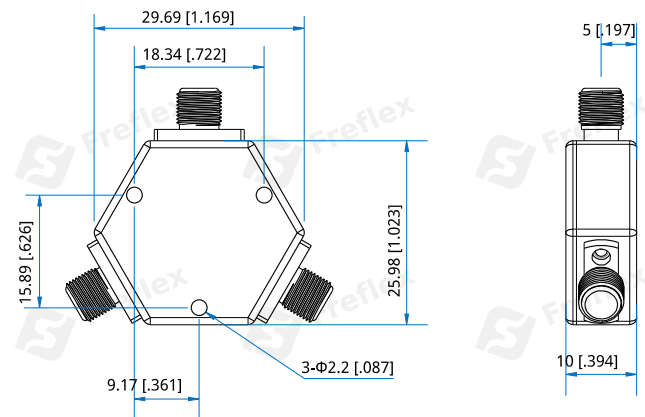
Size ^{*2} :	29.69*25.98*10mm 1.169*1.023*0.394in
Connectors:	SMA Female 2.92mm Female
Mounting:	3-Φ2.2mm through-hole

[2] Exclude connectors.

Environmental

Operation Temperature:	-45~+85°C
------------------------	-----------

Outline Drawings



Unit: mm [in]

Tolerance: ±0.3mm [±0.012in]

How To Order

FPD2-0-26500-1-X

X: Connector type

Connector naming rules:

S - SMA Female

K - 2.92mm Female

Examples:

To order a 2-way power divider, 0~26.5GHz, 1W, SMA female, specify FPD2-0-26500-1-S.

Customization is available upon request.