

FPD2-0-40000-2

DC~40GHz, 2W

Features:
 * Small Size
 * Low Insertion Loss

Applications:
 * Amplifiers
 * Mixers
 * Antennas
 * Laboratory Test

Electrical

Frequency: DC~40GHz
 Impedance: 50Ω
 Power @SUM Port: 2W as divider

Model	Insertion Loss*1 (dB max.)	Input VSWR (max.)	Output VSWR (max.)	Isolation (dB min.)
FPD2-0-40000-2-K	2	1.4	2.0	10
FPD2-0-40000-2-K-1	2	1.6	1.6	5.5

[1] Excluding theoretical loss 6.0dB.

Mechanical

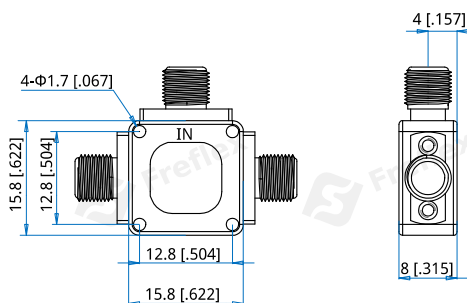
Size*2: 15.8*15.8*8mm
 0.622*0.622*0.315in
 Connectors: 2.92mm Female
 Mounting: 4-Φ1.7mm through-hole

[1] Exclude connectors.

Environmental

Operating Temperature: -40~+85°C
 Non-operating Temperature: -55~+100°C

Outline Drawings



Unit: mm [in]
 Tolerance: ±0.5mm [±0.02in]

How To Order

FPD2-0-40000-2-X

X: Connector type

Connector naming rules:

K - 2.92mm Female, Consists of two 50Ω resistors

K-1 - 2.92mm Female, Consists of three 16 2/3Ω resistors

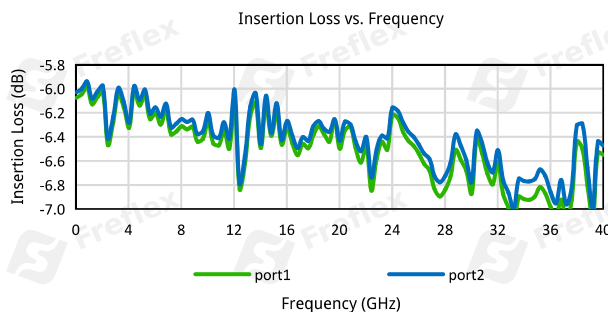
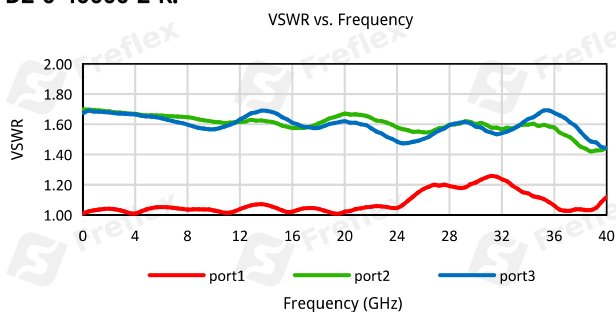
Examples:

To order a 2-way power divider, 0~40GHz, 2W, 2.92mm female, Consists of two 50Ω resistors, specify FPD2-0-40000-2-K.

Customization is available upon request.

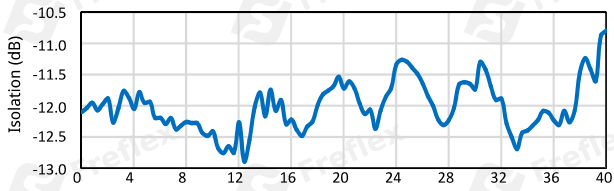
Typical Performance Curves

FPD2-0-40000-2-K:



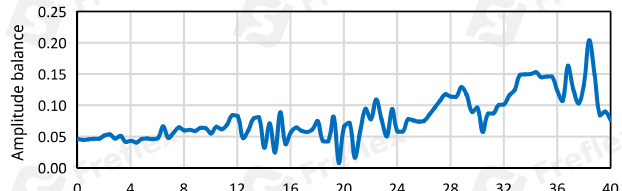
2-Way Resistive Power Divider

Isolation vs. Frequency



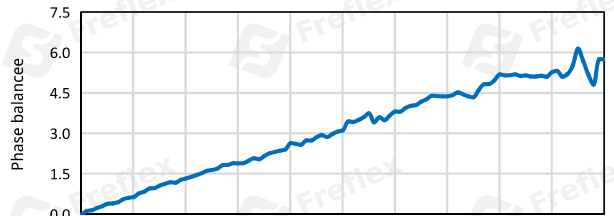
Frequency (GHz)

Amplitude balance vs. Frequency



Frequency (GHz)

Phase balance vs. Frequency



Frequency (GHz)