

FPD2-1-500-K1-S

2-Way, 0.001~0.5GHz

Features:
 * Small Size
 * Low Insertion Loss

Applications:
 * Amplifiers
 * Mixers
 * Antennas
 * Laboratory Test

Electrical

Frequency:	0.001~0.5GHz
Insertion Loss:	0.5dB max.
VSWR:	1.8 max. @1-10MHz @SUM 2.0 max. @1-10MHz 1.35 max. @10-1000MHz
Isolation:	20dB min.
Amplitude Balance:	0.2dB max.
Phase Balance:	3° max.
Power @SUM Port:	100W as divider 100W as combiner

Mechanical

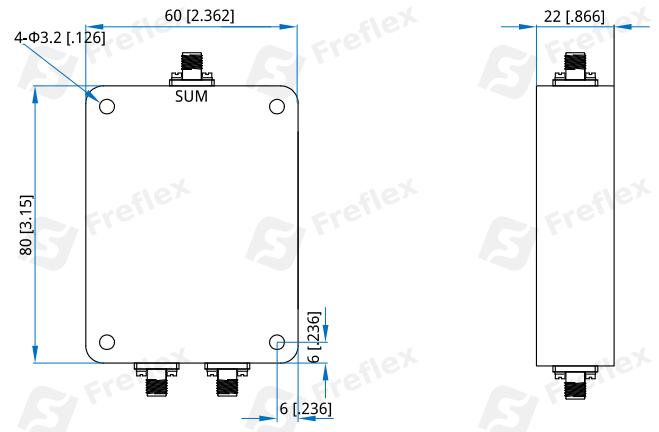
Size ^{*1} :	60*80*22mm 2.362*3.15*0.866in
Connectors:	SMA Female
Mounting:	4-Φ3.2mm through-hole

[1] Exclude connectors.

Environmental

Operation Temperature:	-40~+85°C
------------------------	-----------

Outline Drawings



Unit: mm [in]
 Tolerance: ±0.5mm [±0.02in]

How To Order

FPD2-1-500-K1-S

Customization is available upon request.