

### FPD2-1-700-1

#### 2-Way, 1~700MHz

Features:  
 \* Small Size  
 \* Low Insertion Loss

Applications:  
 \* Amplifiers  
 \* Mixers  
 \* Antennas  
 \* Laboratory Test



#### Electrical

Frequency:	1~700MHz
Insertion Loss:	0.6dB max.
Input VSWR:	1.25 max.
Output VSWR:	1.2 max.
Isolation:	20dB min.
Amplitude Balance:	±0.25dB
Phase Balance:	±1°
Impedance:	50Ω
Power @SUM Port:	1W max. as divider 0.5W max. as combiner

#### Mechanical

Connectors*1:	SMA Female N Female TNC Female SMP Male
---------------	--

[1] Female connectors can be replaced with male connectors on request.

#### Environmental

Operating Temperature:	-35~+75°C
Non-operating Temperature:-	-45~+85°C

#### How To Order

**FPD2-1-700-1-Y**

Y: Connector type

Connector naming rules:

S - SMA Female (Outline A)

N - N Female (Outline B)

T - TNC Female

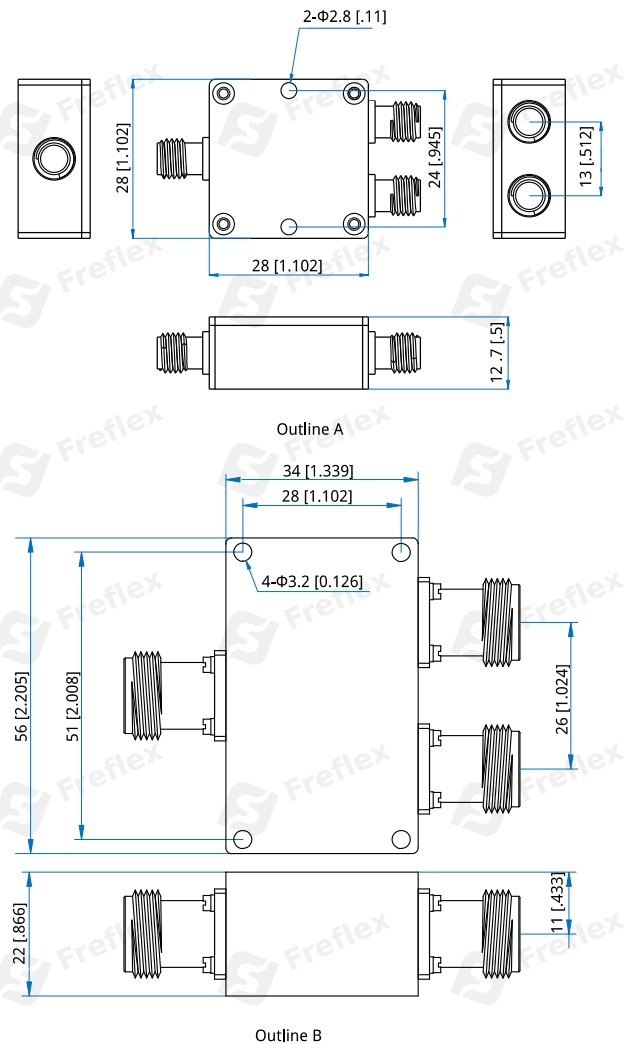
P - SMP Male

Examples:

To order a 2-way power divider, 0.001~0.7GHz, 1W, N female, specify FPD2-1-700-1-N.

Customization is available upon request.

#### Outline Drawings

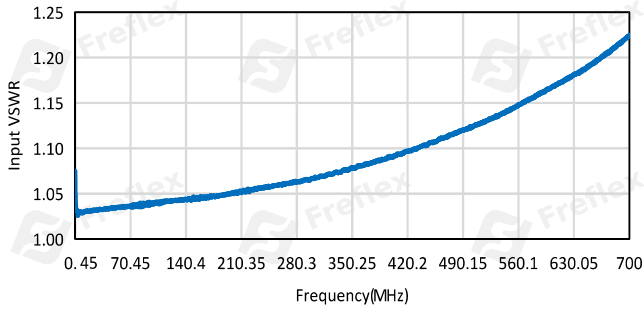


Unit: mm [in]  
 Tolerance: ±0.5mm [±0.02in]

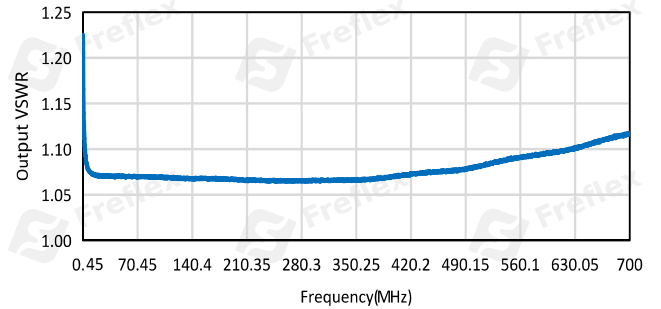
### Typical Performance Curves

#### SMA

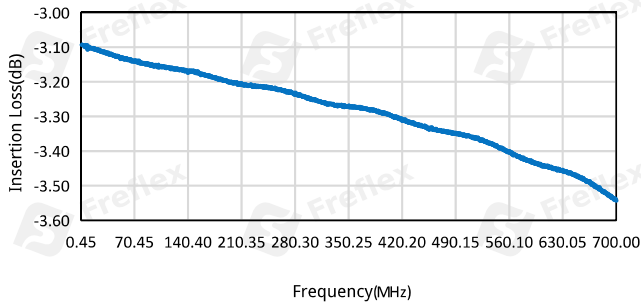
Input VSWR vs. Frequency



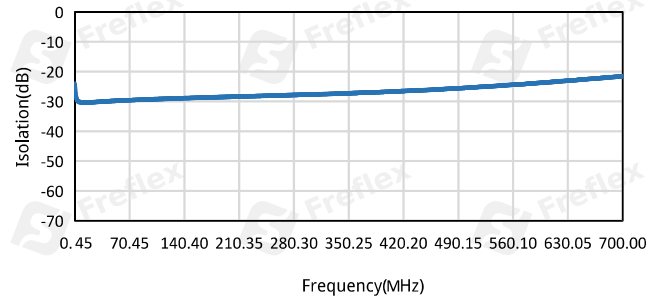
Output VSWR vs. Frequency



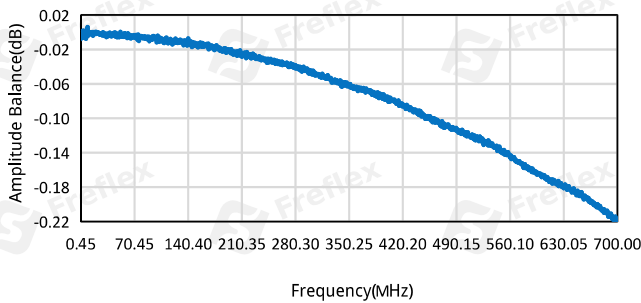
Insertion Loss vs. Frequency



Isolation vs. Frequency



Amplitude Balance vs. Frequency



Phase Balance vs. Frequency

