

FPD2-12000-18000-20-S-1

2-Way, 12~18GHz

Features:
 * Small Size
 * Low Insertion Loss

Applications:
 * Amplifiers
 * Mixers
 * Antennas
 * Laboratory Test



Electrical

Frequency:	12~18GHz
Insertion Loss ^{*1} :	0.6dB typ.
VSWR:	1.5 typ.
Isolation:	18dB min.
Amplitude Balance:	±0.3dB
Phase Balance:	±5°
Impedance:	50Ω
Power @SUM Port:	20W max. as divider 1W max. as combiner

[1] Excluding theoretical loss 3dB.

Mechanical

Size ^{*2} :	25*17*10mm 0.984*0.669*0.394in
Connectors:	SMA Female
Mounting:	2-Φ2.3mm through-hole

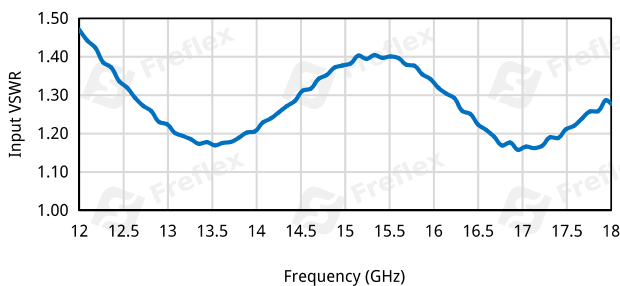
[2] Exclude connectors.

Environmental

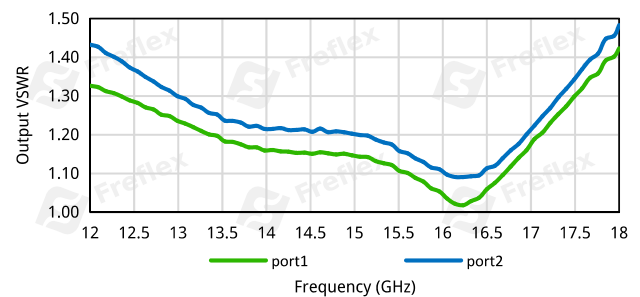
Operation Temperature: -35~+75°C

Typical Performance Curves

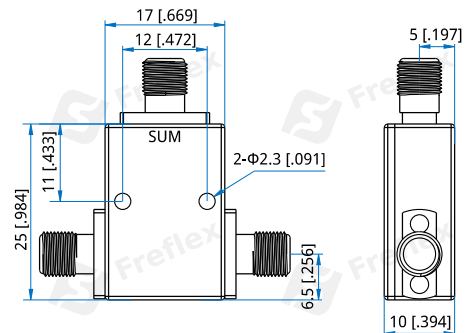
Input VSWR vs. Frequency



Output VSWR vs. Frequency



Outline Drawings



Unit: mm [in]
 Tolerance: ±0.5mm [±0.02in]

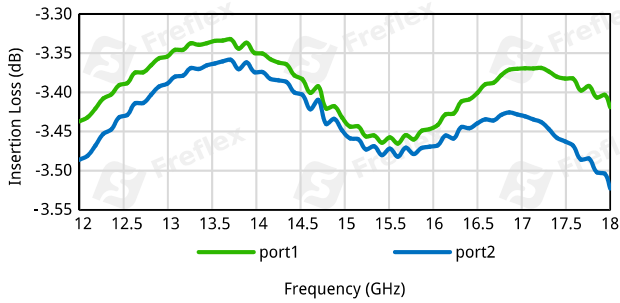
How To Order

FPD2-12000-18000-20-S

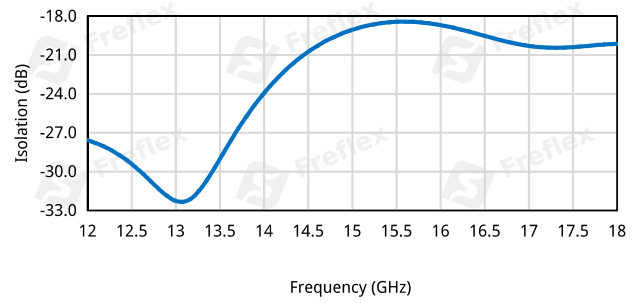
Customization is available upon request.

2-Way Power Dividers/Combiners

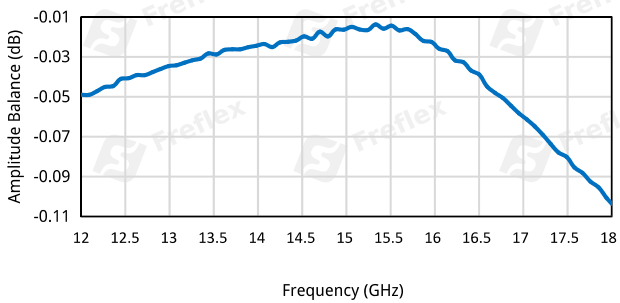
Insertion Loss vs. Frequency



Isolation vs. Frequency



Amplitude Balance vs. Frequency



Phase Balance vs. Frequency

