

### FPD2-2-2000-2

#### 2-Way, 0.002~2GHz

Features:  
 \* Small Size  
 \* Low Insertion Loss

Applications:  
 \* Amplifiers  
 \* Mixers  
 \* Antennas  
 \* Laboratory Test



#### Electrical

Frequency:	0.002~2GHz
Insertion Loss <sup>*1</sup> :	1.5dB typ.
Input VSWR:	1.3 max.
Output VSWR:	1.4 max.
Isolation:	20dB min.
Amplitude Balance:	±0.5dB typ.
Phase Balance:	±3° typ.
Impedance:	50Ω
Power @SUM Port:	2W max. as divider 2W max. as combiner

[1] Excluding theoretical loss 3dB.

#### Mechanical

Connectors:	SMA Female, N Female, TNC Female
Mounting:	2-Φ2.8mm through-hole (SMA) 4-Φ2.2mm through-hole (N)

#### Environmental

Operation Temperature:	-45~+85°C
Non-operating Temperature:	-55~+125°C

#### How To Order

**FPD2-2-2000-2-X**

X: Connector type

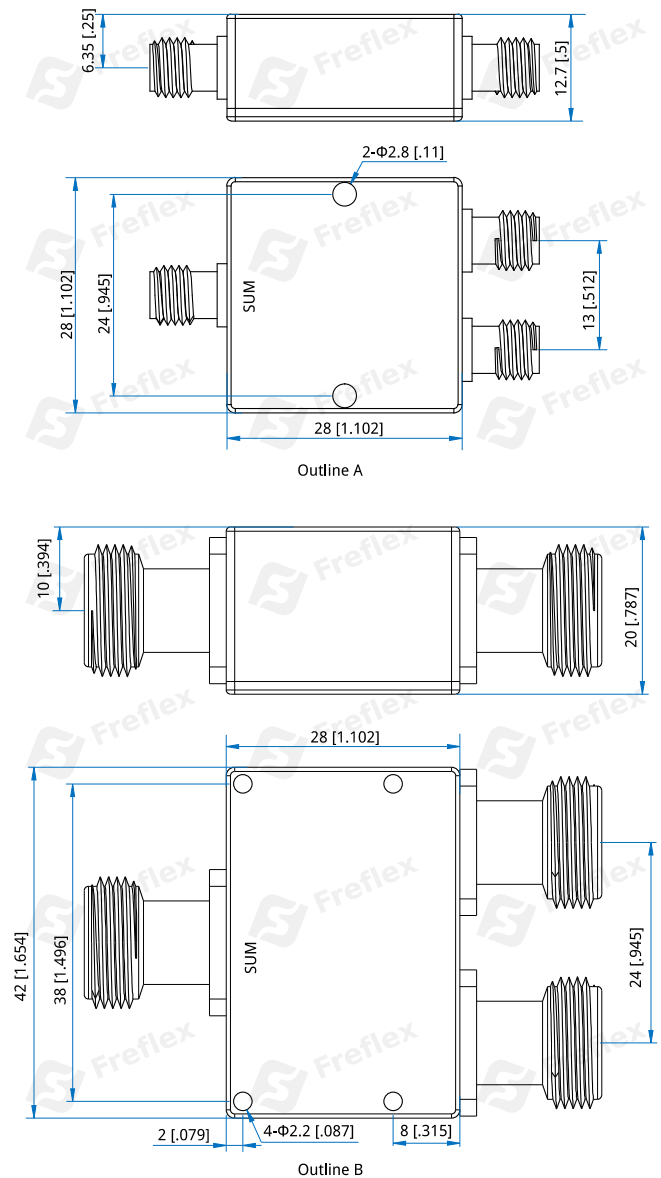
Connector naming rules:  
 S - SMA Female (Outline A)  
 N - N Female (Outline B)  
 T - TNC Female (Outline B)

Examples:

To order a 2-way power divider, 0.002~2GHz, 2W, N female, specify FPD2-2-2000-2-N.

Customization is available upon request.

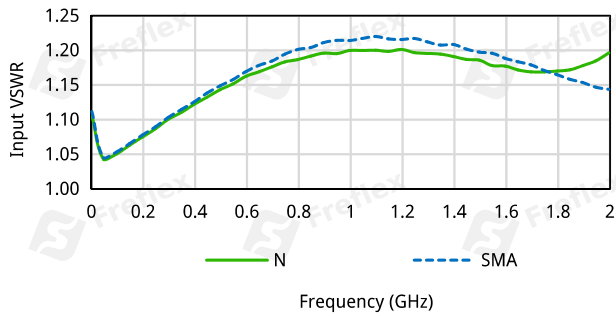
#### Outline Drawings



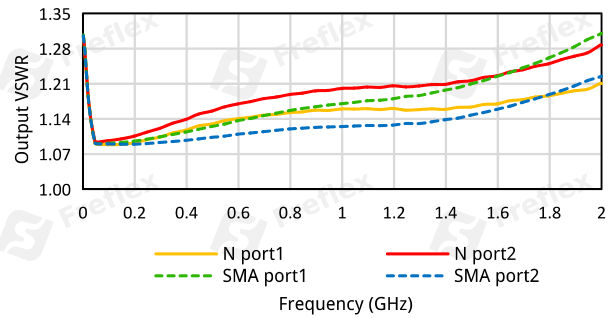
Unit: mm [in]  
 Tolerance: ±0.5mm [±0.02in]

### Typical Performance Curves

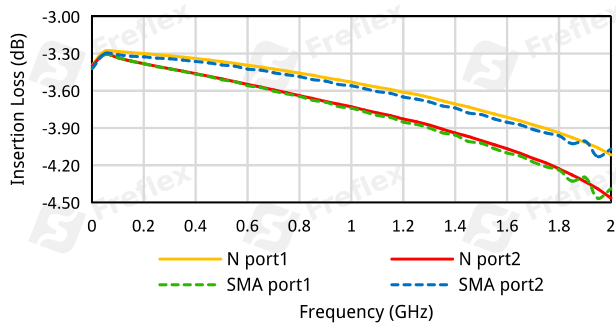
Input VSWR vs. Frequency



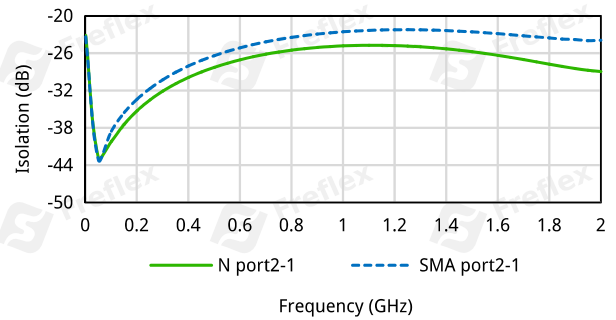
Output VSWR vs. Frequency



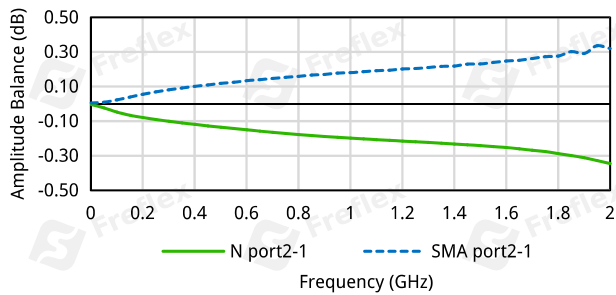
Insertion Loss vs. Frequency



Isolation vs. Frequency



Amplitude Balance vs. Frequency



Phase Balance vs. Frequency

