

FPD2-2-2500-1

2-Way, 0.002~2.5GHz

Features:
 * Small Size
 * Low Insertion Loss

Applications:
 * Amplifiers
 * Mixers
 * Antennas
 * Laboratory Test



Electrical

Frequency:	0.002~2.5GHz
Insertion Loss ^{*1} :	1.8dB max.
Input VSWR:	1.3 max.
Output VSWR:	1.4 max.
Isolation:	18dB min.
Amplitude Balance:	±0.2dB typ.
Phase Balance:	±3° typ.
Impedance:	50Ω
Power @SUM Port:	1W max. as divider 1W max. as combiner

[1] Excluding theoretical loss 3dB.

Mechanical

Connectors:	SMA Female, N Female, TNC Female
Mounting:	2-Φ2.8mm through-hole (SMA) 4-Φ2.2mm through-hole (N)

Environmental

Operation Temperature:	-45~+85°C
Non-operating Temperature:	-55~+125°C

How To Order

FPD2-2-2500-1-X

X: Connector type

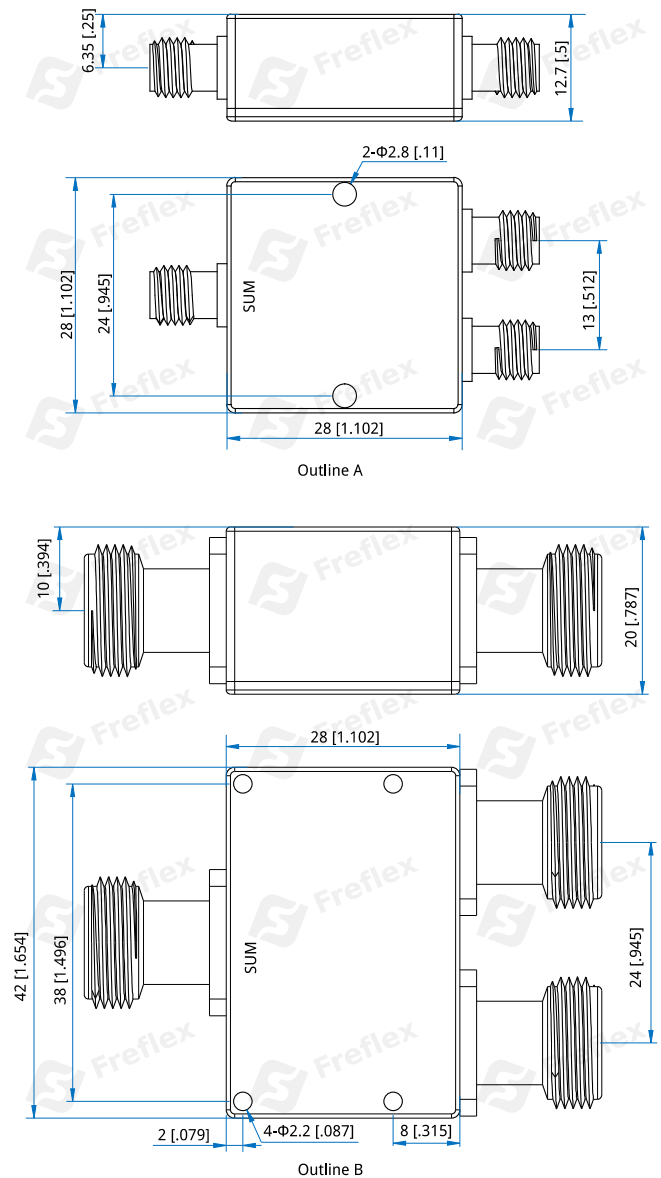
Connector naming rules:
 S - SMA Female (Outline A)
 N - N Female (Outline B)
 T - TNC Female (Outline B)

Examples:

To order a 2-way power divider, 0.002~2.5GHz, 1W, N female, specify FPD2-2-2500-1-N.

Customization is available upon request.

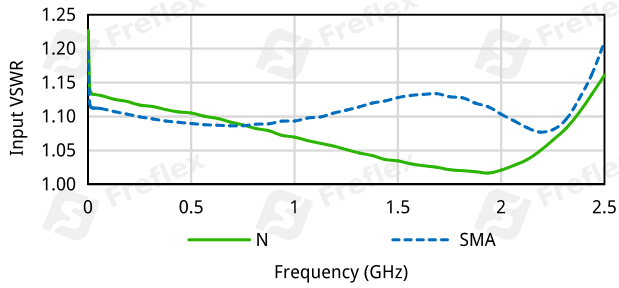
Outline Drawings



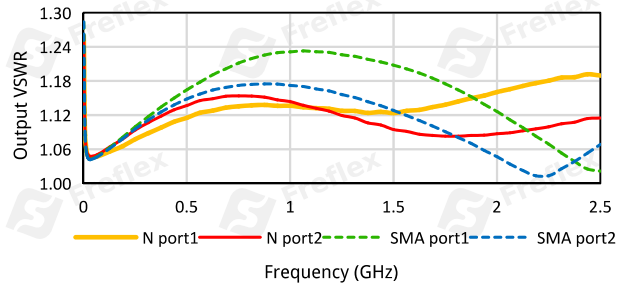
Unit: mm [in]
 Tolerance: ±0.5mm [±0.02in]

Typical Performance Curves

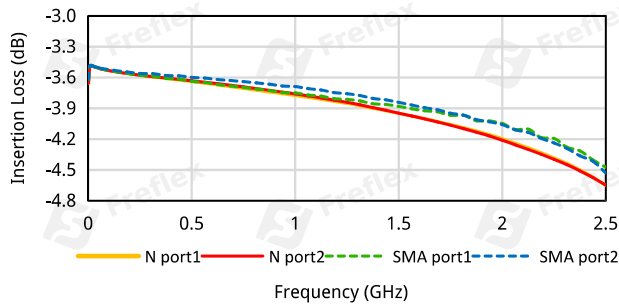
Input VSWR vs. Frequency



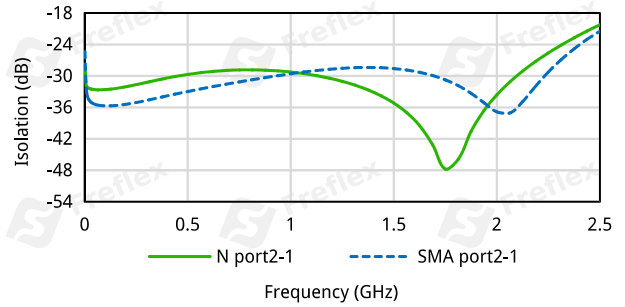
Output VSWR vs. Frequency



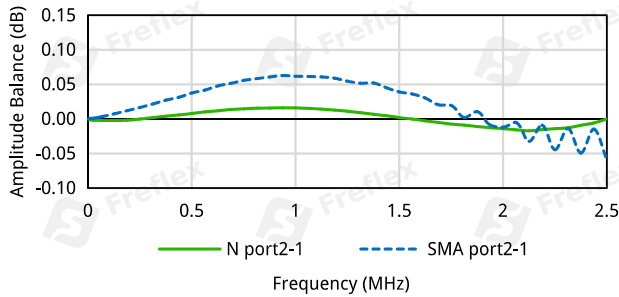
Insertion Loss vs. Frequency



Isolation vs. Frequency



Amplitude Balance vs. Frequency



Phase Balance vs. Frequency

