

FPD2-30-1000-20

2-Way, 0.03~1GHz

Features:
 * Small Size
 * Low Insertion Loss

Applications:
 * Amplifiers
 * Mixers
 * Antennas
 * Laboratory Test

Electrical

Frequency:	0.03~1GHz
Insertion Loss:	2.5dB max. (SMA) 2.8dB max. (N)
Input VSWR:	1.3 max.
Output VSWR:	1.2 max.
Isolation:	20dB min.
Amplitude Balance:	±0.3dB
Phase Balance:	±3°
Impedance:	50Ω
Power @SUM Port:	20W max. as divider 2W max. as combiner

Mechanical

Connectors:	N Female SMA Female
Mounting:	6-Φ3.2mm through-hole

Environmental

Operation Temperature: -45~+85°C

How To Order

FPD2-30-1000-20-Y

Y: Connector type

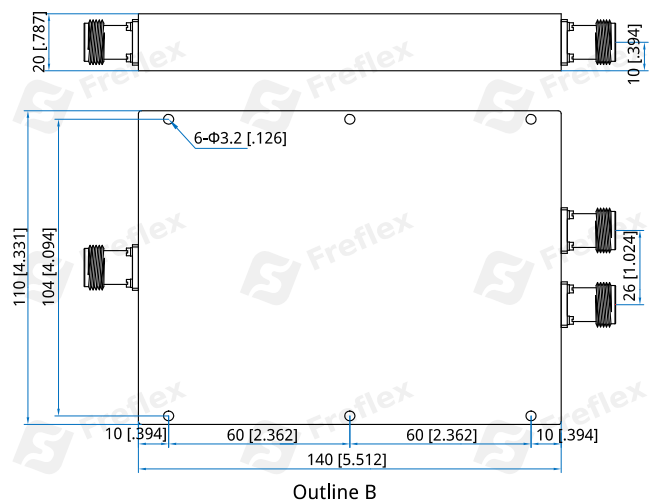
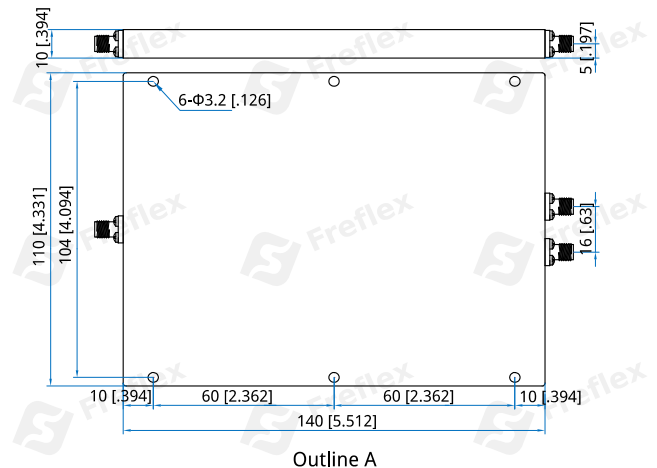
Connector naming rules:
 S - SMA Female (Outline A)
 N - N Female (Outline B)

Examples:

To order a 2-way power divider, 0.03~1GHz, 20W, N female, specify FPD2-30-1000-20-N.

Customization is available upon request.

Outline Drawings



Unit: mm [in]
 Tolerance: ±0.5mm [±0.02in]