

# FPD2-30-90-K2

## 2-Way, 30~90MHz

Features:  
 \* Small Size  
 \* Low Insertion Loss

Applications:  
 \* Amplifiers  
 \* Mixers  
 \* Antennas  
 \* Laboratory Test

### Electrical

Frequency:	30~90MHz
Insertion Loss:	3.5dB max.
VSWR(SUM):	1.3 max.
Isolation:	15dB min.
Amplitude Balance:	±0.5dB max.
Phase Balance:	±5° max.
Impedance:	50Ω
Power @SUM Port:	200W max. as divider

### Mechanical

Size <sup>*1</sup> :	110*60*71mm 4.331*2.362*2.795in
Connectors:	SMA Female, N Female

[1] Exclude connectors.

### Environmental

Operation Temperature:	-40~+70°C
Non-Operation Temperature:	-55~+85°C

### How To Order

**FPD2-30-90-K2-Y**

Y: Connector type

Connector naming rules:

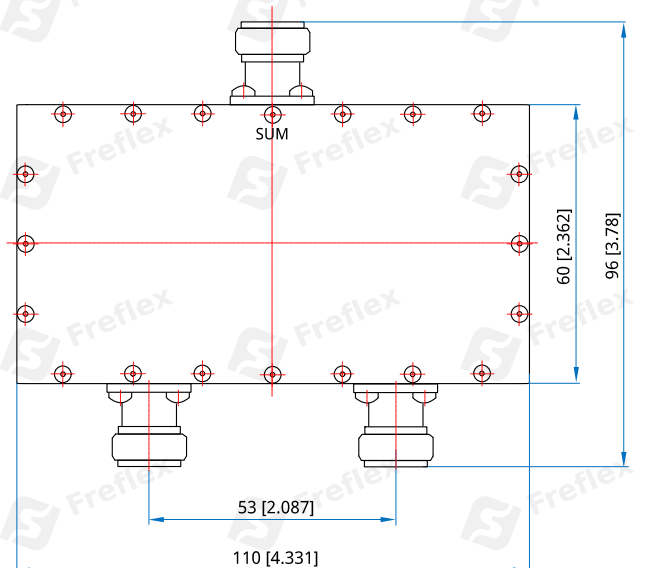
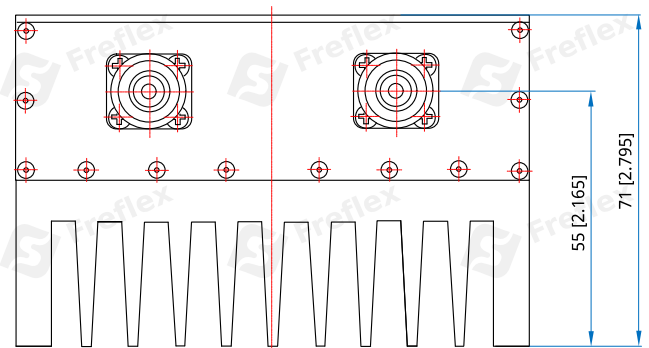
N - N Female (Outline A)  
 S - SMA Female

Examples:

To order a 2-way power divider, 30~90MHz, 200W, N female, specify FPD2-30-90-K2-N.

Customization is available upon request.

### Outline Drawings



Outline A

Unit: mm [in]

Tolerance: ±0.3mm [±0.012in]