

FPD2-5-1000-1-B

2-Way, 0.005~1GHz

Features:
 * Small Size
 * Low Insertion Loss

Applications:
 * Amplifiers
 * Mixers
 * Antennas
 * Laboratory Test

Electrical

Frequency:	0.005~1GHz
Insertion Loss:	1dB max.
Input VSWR:	1.25 max.
Output VSWR:	1.25 max.
Isolation:	17dB min.
Amplitude Balance:	0.3dB max.
Phase Balance:	±3°
Impedance:	50Ω
Power @SUM Port:	1W max. as divider 0.5W max. as combiner

Mechanical

Mounting: 4-Φ3.2mm through-hole

Environmental

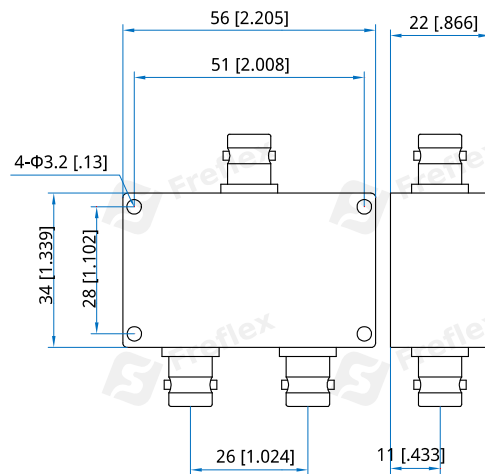
Operation Temperature: -35~+75°C

How To Order

FPD2-5-1000-1-B

Customization is available upon request.

Outline Drawings



Unit: mm [in]

Tolerance: ±0.5mm [±0.02in]