

FPD2-5600-5800-K2

2-Way, 5.6~5.8GHz

Features:
 * Small Size
 * Low Insertion Loss

Applications:
 * Amplifiers
 * Mixers
 * Antennas
 * Laboratory Test

Electrical

Frequency:	5.6~5.8GHz
Insertion Loss*1 (SMA):	0.6dB max.
Insertion Loss*1 (N):	6.98dB typ. 0.97dB typ.
VSWR:	1.4 max.
Isolation:	20dB min.
Amplitude Balance:	±0.3dB max.
Phase Balance:	±3° max.
Distribution Ratio (N):	1 (Port1): 4 (Port2)
Power @SUM Port (N):	200W as divider 200W as combiner
(SMA):	200W as divider

[1] Excluding theoretical loss 3dB.

Mechanical

Connectors:	N Female SMA Female
Mounting:	4-Φ3.3mm through-hole

Environmental

Operation Temperature: -45~+85°C

How To Order

FPD2-5600-5800-K2-Y

Y: Connector type

Connector naming rules:

S - SMA Female (Outline A)

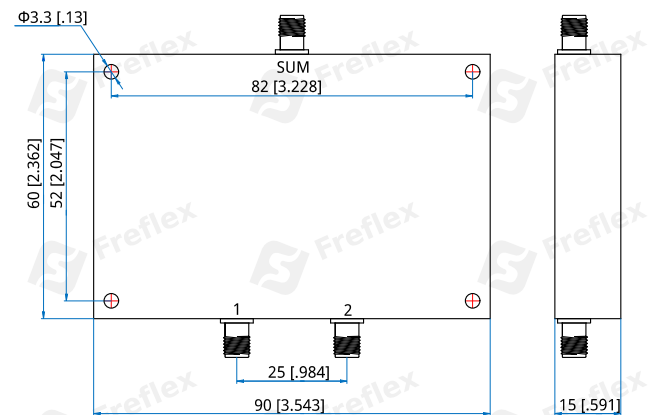
NS - N Female & SMA Female (Outline B)

Examples:

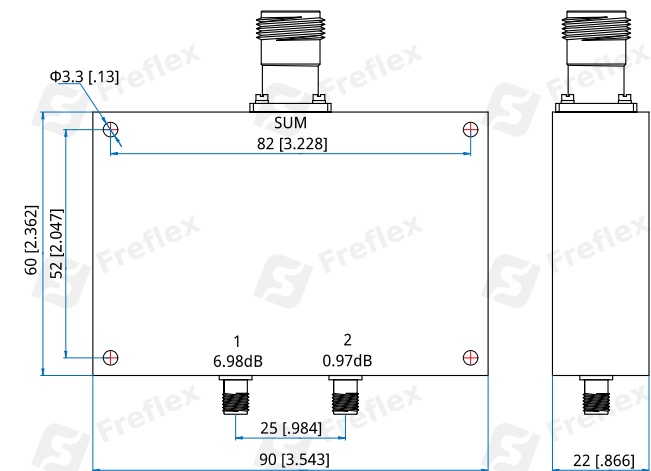
To order a 2-way power divider, 5.6~5.8GHz, 200W, N Female & SMA Female, specify FPD2-5600-5800-K2-NS.

Customization is available upon request.

Outline Drawings



Outline A



Outline B

Unit: mm [in]

Tolerance: ±0.3mm [±0.012in]