

# FPD2-68-72-30-N

## 2-Way, 0.068~0.072GHz

Features:  
 \* Small Size  
 \* Low Insertion Loss

Applications:  
 \* Amplifiers  
 \* Mixers  
 \* Antennas  
 \* Laboratory Test

### Electrical

Frequency:	0.068~0.072GHz
Insertion Loss:	0.4dB max.
Input VSWR:	1.2 max.
Output VSWR:	1.2 max.
Isolation:	20dB min.
Amplitude Balance:	0.2dB max.
Phase Balance:	±2°
Impedance:	50Ω
Power @SUM Port:	30W max. as divider 2W max. as combiner

### Mechanical

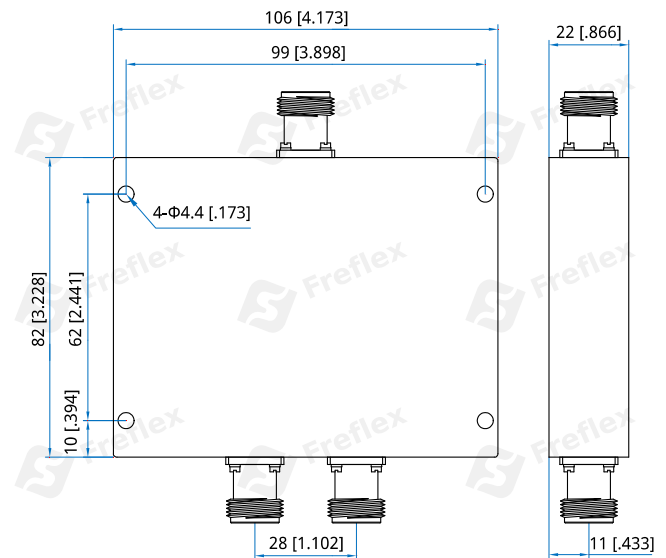
Size <sup>*1</sup> :	106*82*22mm 4.173*3.228*0.866in
Weight:	480g
Connectors:	N Female
Mounting:	4-Φ4.4mm through-hole

[1] Exclude connectors.

### Environmental

Operation Temperature:	-35~+75°C
------------------------	-----------

### Outline Drawings



Unit: mm [in]  
 Tolerance: ±0.5mm [±0.02in]

### How To Order

**FPD2-68-72-30-N**

Customization is available upon request.