

FPD2-80-1000-2K-7

2-Way, 80~1000MHz

Features:

- * Small Size
- * Low Insertion Loss

Applications:

- * Amplifiers
- * Mixers
- * Antennas
- * Laboratory Test

Electrical

Frequency:	80~1000MHz
Insertion Loss ^{*1} :	0.6dB max. (average)
VSWR (SUM Port):	1.4 max.
Amplitude Balance:	±0.2dB max.
Phase Balance:	±2° max.
Impedance:	50Ω
Power @SUM Port:	2000W max. as divider 2000W max. as combiner

[1] Excluding theoretical loss 3.0dB.

Mechanical

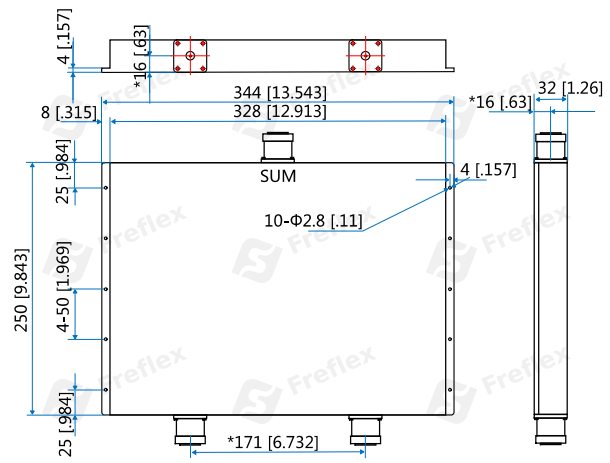
Size ^{*2} :	344*250*32mm 13.543*9.843*1.26in
Connectors:	7/16 DIN (L29) female
Mounting:	10-Φ2.8mm through-hole

[2] Exclude connectors.

Environmental

Operation Temperature:	-55~+85°C
------------------------	-----------

Outline Drawings



Unit: mm [in]

Tolerance: ±0.2mm [±0.08in]

*Ensure dimensions for design.

How To Order

FPD2-80-1000-2K-7

Customization is available upon request.