

FPD2-90-180-K1-N

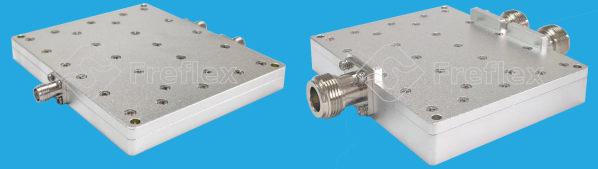
2-Way, 90~180MHz

Features:

- * Small Size
- * Low Insertion Loss

Applications:

- * Amplifiers
- * Mixers
- * Antennas
- * Laboratory Test



Electrical

Frequency:	90~180MHz
Insertion Loss*1:	0.4dB max.
Input VSWR:	1.25 max.
Output VSWR:	1.15 max.
Isolation:	18dB min.
	30dB min. @118~138MHz
Amplitude Balance:	±0.1dB typ.
Phase Balance:	±1° typ.
Impedance:	50Ω typ.
Power @SUM Port:	100W max. as divider
	100W max. as combiner

[1] Excluding theoretical loss 3dB.

Mechanical

Connectors:	N Female, SMA Female
Mounting:	4-Φ3.2mm through-hole

Environmental

Operation Temperature:	-45~+85°C
Non-operating Temperature:	-55~+125°C

How To Order

FPD2-90-180-K1-X

X: Connector type

Connector naming rules:

S - SMA Female (Outline A)

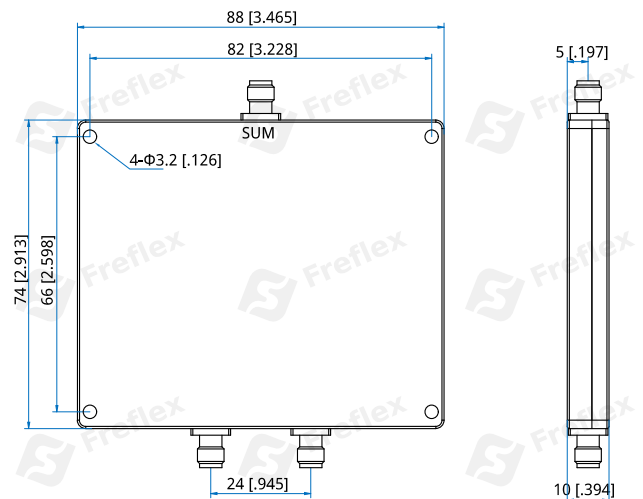
N - N Female (Outline B)

Examples:

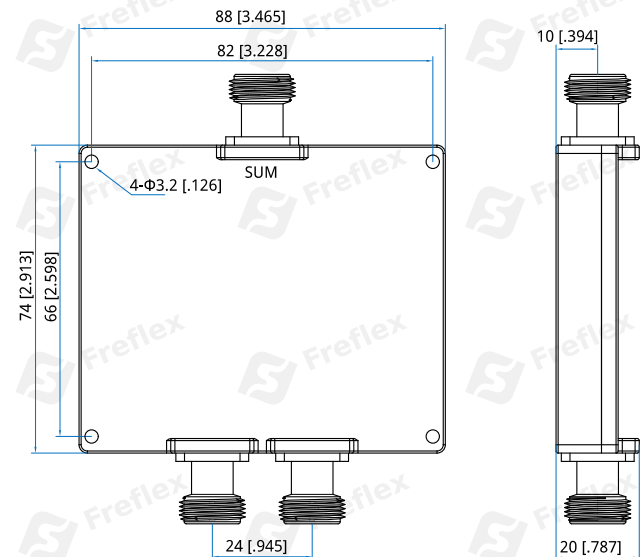
To order a 2-way power divider, 90~180MHz, 100W, N female, specify FPD2-90-180-K1-N.

Customization is available upon request.

Outline Drawings



Outline A



Outline B

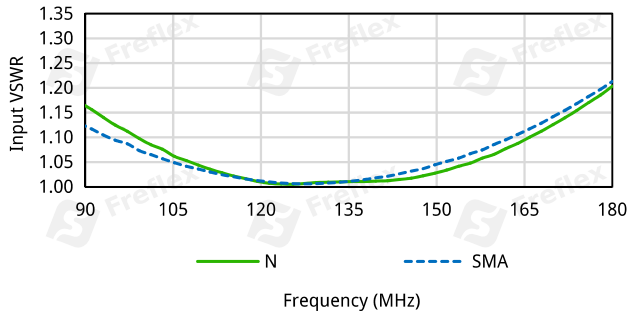
Unit: mm [in]

Tolerance: ±0.5mm [±0.02in]

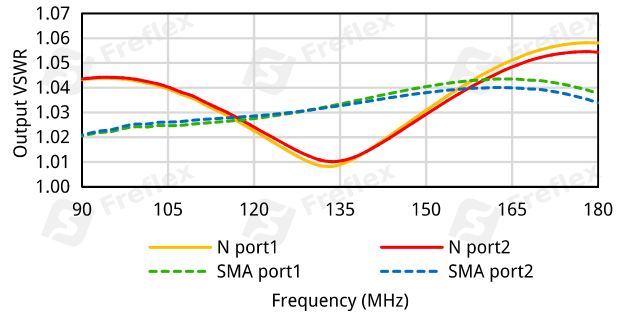
2-Way Power Divider/Combiner

Typical Performance Curves

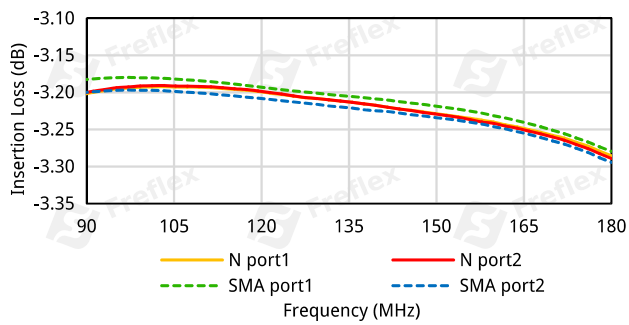
Input VSWR vs. Frequency



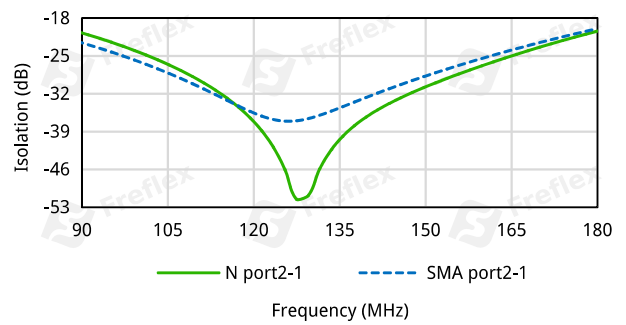
Output VSWR vs. Frequency



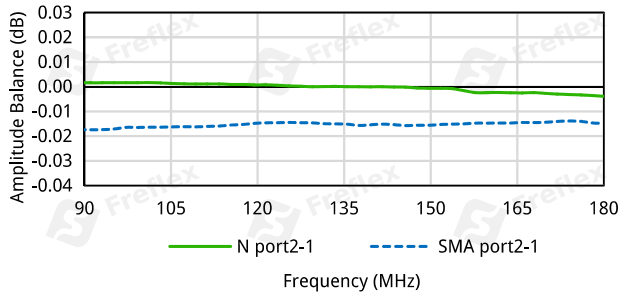
Insertion Loss vs. Frequency



Isolation vs. Frequency



Amplitude Balance vs. Frequency



Phase Balance vs. Frequency

