

FPD3-2100-8400-20-N

3-Way, 2.1~8.4GHz, 20W

Features:
 * Small Size
 * Low Insertion Loss

Applications:
 * Amplifiers
 * Mixers
 * Antennas
 * Laboratory Test

Electrical

Frequency:	2.1~8.4GHz
Insertion Loss:	1.6dB max.
Input VSWR:	1.15 max.
Output VSWR:	1.15 max.
Isolation:	18dB min.
Amplitude Balance:	±0.6dB.
Phase Balance:	±6°
Impedance:	50Ω
Power @SUM Port:	20W max. as divider 1W max. as combiner

Mechanical

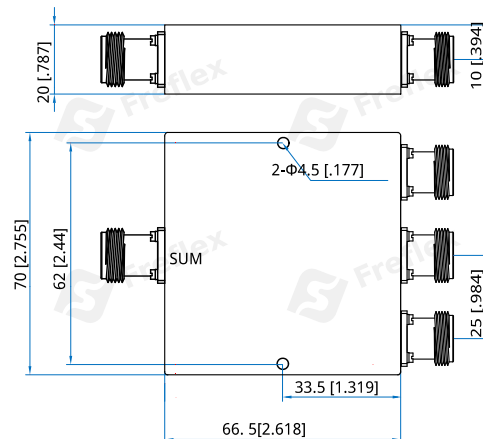
Size ^{*1} :	66.5*70*20mm 2.618*2.755*0.787in
Connectors:	N Female
Mounting:	2-Φ4.5mm through-hole

[1] Exclude connectors.

Environmental

Operation Temperature:	-45~+85°C
------------------------	-----------

Outline Drawings



Unit: mm [in]

Tolerance: ±0.5mm [±0.02in]

How To Order

FPD3-2100-8400-20-N

Customization is available upon request.