

## FPD3-555-3400-30-N

3-Way, 0.555~3.4GHz

**Features:**

- \* Small Size
- \* Low Insertion Loss

**Applications:**

- \* Amplifiers
- \* Mixers
- \* Antennas
- \* Laboratory Test

### Electrical

|                    |                                            |
|--------------------|--------------------------------------------|
| Frequency:         | 0.555~3.4GHz                               |
| Insertion Loss:    | 1dB max.                                   |
| Input VSWR:        | 1.25 max.                                  |
| Output VSWR:       | 1.25 max.                                  |
| Isolation:         | 20dB min.                                  |
| Amplitude Balance: | ±0.7dB                                     |
| Phase Balance:     | ±7°                                        |
| Impedance:         | 50Ω                                        |
| Power @SUM Port:   | 30W max. as divider<br>2W max. as combiner |

### Mechanical

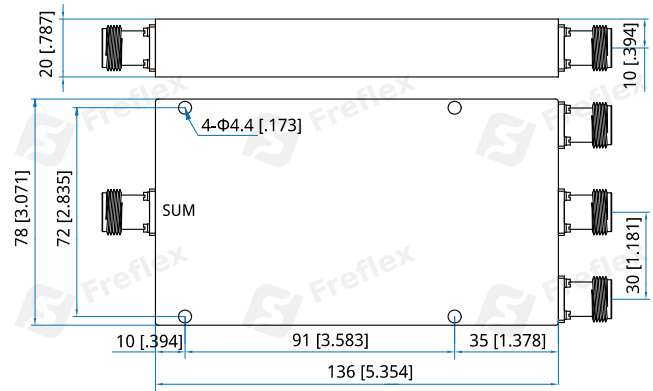
|                      |                                    |
|----------------------|------------------------------------|
| Size <sup>*1</sup> : | 136*78*20mm<br>5.354*3.071*0.787in |
| Weight:              | 700g                               |
| Connectors:          | N Female                           |
| Mounting:            | 4-Φ4.4mm through-hole              |

[1] Exclude connectors.

### Environmental

|                        |           |
|------------------------|-----------|
| Operation Temperature: | -35~+75°C |
|------------------------|-----------|

### Outline Drawings



Unit: mm [in]

Tolerance: ±0.5mm [±0.02in]

### How To Order

**FPD3-555-3400-30-N**

Customization is available upon request.