

## FPD3-700-5000-30-N

### 3-Way, 0.7~5GHz

Features:  
 \* Small Size  
 \* Low Insertion Loss

Applications:  
 \* Amplifiers  
 \* Mixers  
 \* Antennas  
 \* Laboratory Test

#### Electrical

Frequency:	0.7~5GHz
Insertion Loss:	1.5dB max.
Input VSWR:	1.4 max.
Output VSWR:	1.3 max.
Isolation:	18dB min.
Amplitude Balance:	±0.8dB
Phase Balance:	±8°
Impedance:	50Ω
Power @SUM Port:	30W max. as divider 2W max. as combiner

#### Mechanical

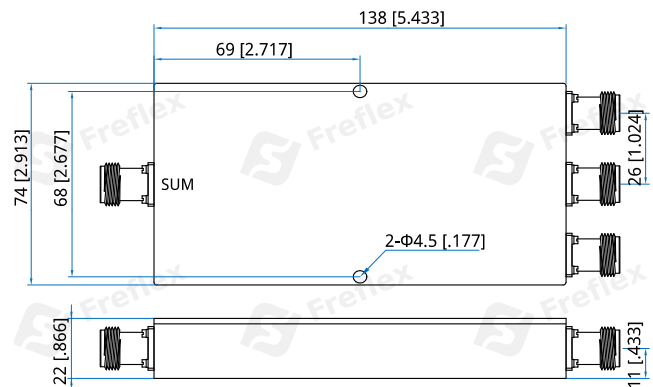
Size <sup>*1</sup> :	138*74*22mm 5.433*2.913*0.866in
Connectors:	N Female
Mounting:	2-Φ4.5mm through-hole

[1] Exclude connectors.

#### Environmental

Operation Temperature:	-35~+75°C
------------------------	-----------

#### Outline Drawings



Unit: mm [in]  
 Tolerance: ±0.5mm [±0.02in]

#### How To Order

**FPD3-700-5000-30-N**

Customization is available upon request.