

FPD3-800-1600-30-S

3-Way, 0.8~1.6GHz

Features:
 * Small Size
 * Low Insertion Loss

Applications:
 * Amplifiers
 * Mixers
 * Antennas
 * Laboratory Test

Electrical

Frequency:	0.8~1.6GHz
Insertion Loss:	0.6dB max.
Input VSWR:	1.3 max.
Output VSWR:	1.3 max.
Isolation:	20dB min.
Amplitude Balance:	±0.4dB
Phase Balance:	±4°
Impedance:	50Ω
Power @SUM Port:	30W max. as divider 2W max. as combiner

Mechanical

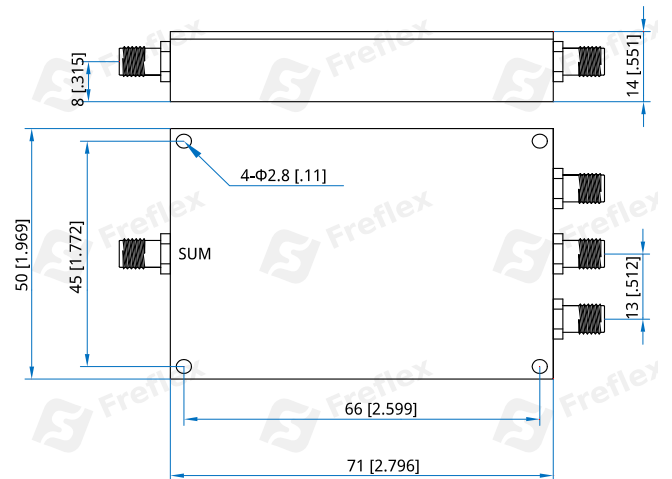
Size ^{*1} :	71*50*14mm 2.796*1.969*0.551in
Connectors:	SMA Female
Mounting:	4-Φ2.8mm through-hole

[1] Exclude connectors.

Environmental

Operation Temperature:	-35~+75°C
------------------------	-----------

Outline Drawings



Unit: mm [in]
 Tolerance: ±0.5mm [±0.02in]

How To Order
FPD3-800-1600-30-S

Customization is available upon request.