

FPD3-800-2500-K2-7

3-Way, 0.8~2.5GHz

Features:
 * Small Size
 * Low Insertion Loss

Applications:
 * Amplifiers
 * Mixers
 * Antennas
 * Laboratory Test

Electrical

Frequency:	0.8~2.5GHz
Insertion Loss:	0.5dB max.
Input VSWR:	1.2 max.
Output VSWR:	1.2 max.
Isolation:	20dB min.
Amplitude Balance:	0.3dB max.
Phase Balance:	4° max.
Impedance:	50Ω
Power @SUM Port:	200W max. as divider

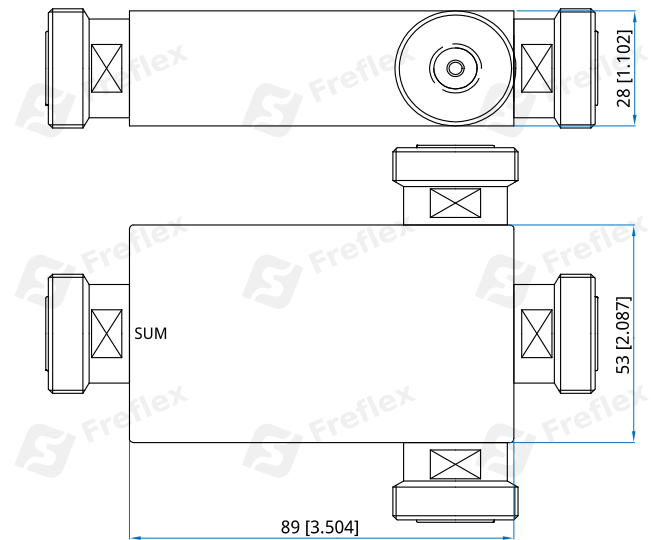
Mechanical

Size:	89*53*28mm 3.504*2.087*1.102in
-------	-----------------------------------

Environmental

Operation Temperature:	-30~+70°C
------------------------	-----------

Outline Drawings



Unit: mm [in]
 Tolerance: ±0.5mm [±0.02in]

How To Order

FPD3-800-2500-K2-7

Customization is available upon request.