

## FPD3-8000-12000-20-S

### 3-Way, 8~12GHz

Features:  
 \* Small Size  
 \* Low Insertion Loss

Applications:  
 \* Amplifiers  
 \* Mixers  
 \* Antennas  
 \* Laboratory Test

#### Electrical

Frequency:	8~12GHz
Insertion Loss:	1.0dB max.
Input VSWR:	1.4 max.
Output VSWR:	1.4 max.
Isolation:	18dB min.
Amplitude Balance:	0.5dB max.
Phase Balance:	±5°
Impedance:	50Ω
Power @SUM Port:	20W max. as divider 1W max. as combiner

#### Mechanical

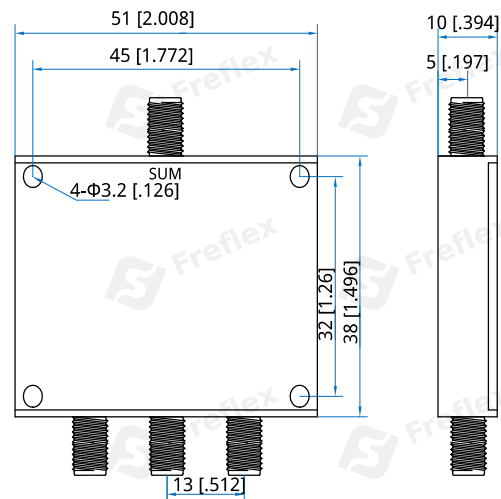
Size <sup>*1</sup> :	38*51*10mm 1.496*2.008*0.394in
Weight:	55g
Connectors:	SMA Female
Mounting:	4-Φ3.2mm through-hole

[1] Exclude connectors.

#### Environmental

Operation Temperature:	-45~+85°C
------------------------	-----------

#### Outline Drawings



Unit: mm [in]  
 Tolerance: ±0.5mm [±0.02in]

#### How To Order

**FPD3-8000-12000-20-S**

Customization is available upon request.