

## FPD4-0-40000-2-K

### 4-Way, DC~40GHz, 2W

Features:  
 \* Small Size  
 \* Low Insertion Loss

Applications:  
 \* Amplifiers  
 \* Mixers  
 \* Antennas  
 \* Laboratory Test

#### Electrical

Frequency: DC~40GHz  
 Insertion Loss<sup>\*1</sup>: 1.5dB typ.  
 VSWR: 1.8 max.  
 Isolation: 12dB typ.  
 Amplitude Balance: ±1.5dB typ.  
 Phase Balance: ±35° typ.  
 Impedance: 50Ω  
 Average Power: 2W

[1] Excluding theoretical loss 12dB.

#### Mechanical

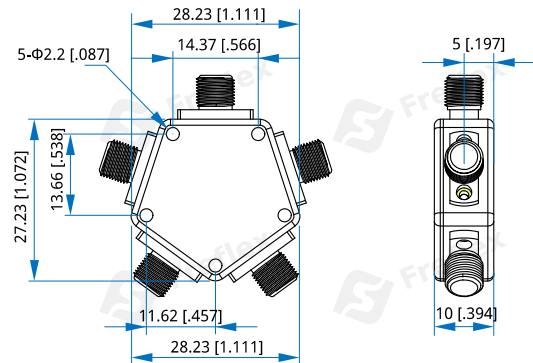
Size<sup>\*2</sup>: 28.23\*27.23\*10mm  
 1.111\*1.072\*0.394in  
 Connectors: 2.92mm Female  
 Mounting: 5-Φ2.2mm through-hole

[2] Exclude connectors.

#### Environmental

Operation Temperature: -35~+75°C

#### Outline Drawings



Unit: mm [in]

Tolerance: ±0.3mm [±0.012in]

#### How To Order

**FPD4-0-40000-2-K**

Customization is available upon request.

#### Typical Performance Curves

