

FPD4-10-100-R5-S

4-Way, 0.01~0.1GHz

Features:

- * Small Size
- * Low Insertion Loss

Applications:

- * Amplifiers
- * Mixers
- * Antennas
- * Laboratory Test

Electrical

Frequency:	0.01~0.1GHz
Insertion Loss ^{*1} :	1.0dB max.
Input VSWR:	1.25 max.
Output VSWR:	1.25 max.
Isolation:	18dB min.
Amplitude Balance:	±0.4dB
Phase Balance:	±4°
Impedance:	50Ω
Power @SUM Port:	0.5W max. as divider 0.1W max. as combiner

[1] Excluding theoretical loss 6.0dB.

Mechanical

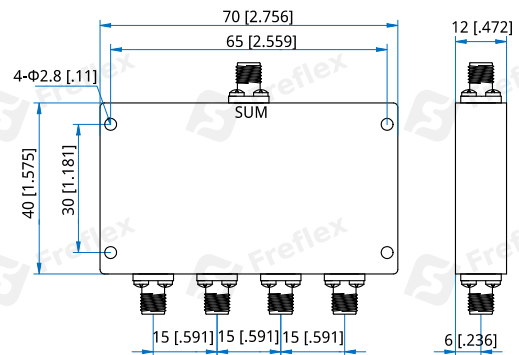
Size ^{*2} :	40*70*12mm 1.575*2.756*0.472in
Connector:	SMA Female
Mounting:	4-Φ2.8mm through-hole

[2] Exclude connectors.

Environmental

Operation Temperature:	-35~+75°C
------------------------	-----------

Outline Drawings



Unit: mm [in]

Tolerance: ±0.3mm [±0.012in]

How To Order

FPD4-10-100-R5-S

Customization is available upon request.