

FPD4-10-500-20-S

4-Way, 0.01~0.5GHz

Features:
 * Small Size
 * Low Insertion Loss

Applications:
 * Amplifiers
 * Mixers
 * Antennas
 * Laboratory Test

Electrical

Frequency:	0.01~0.5GHz
Insertion Loss:	1.2dB max.
VSWR:	1.4 max.
Isolation:	20dB min.
Amplitude Balance:	0.4dB max.
Phase Balance:	±4° max.
Power @SUM Port:	20W as divider

Mechanical

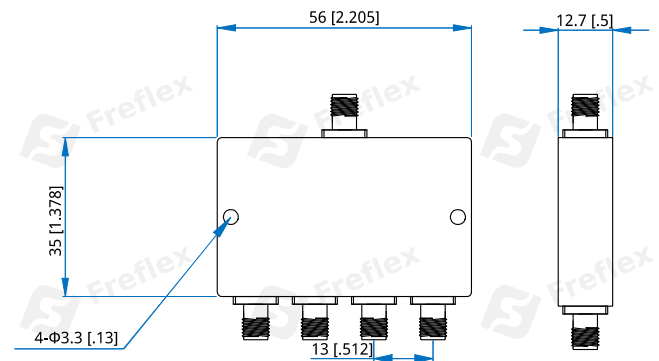
Size ^{*1} :	56*35*12.7mm 2.205*1.378*0.5in
Connectors:	SMA Female
Mounting:	4-Φ3.3mm through-hole

[1] Exclude connectors.

Environmental

Temperature:	-40~+85°C
--------------	-----------

Outline Drawings



Unit: mm [in]
 Tolerance: ±0.3mm [±0.018in]

How To Order

FPD4-10-500-20-S

Customization is available upon request.