

## FPD4-136-174-K3-N

### 4-Way, 0.136~0.174GHz

Features:  
 \* Small Size  
 \* Low Insertion Loss

Applications:  
 \* Amplifiers  
 \* Mixers  
 \* Antennas  
 \* Laboratory Test

#### Electrical

Frequency:	0.136~0.174GHz
Insertion Loss:	0.4dB max.
Input VSWR:	1.2 max.
Output VSWR:	1.2 max.
Isolation:	20dB min.
Amplitude Balance:	0.2dB max.
Phase Balance:	±2°
Impedance:	50Ω
Power @SUM Port:	300W max. as divider 25W max. as combiner

#### Mechanical

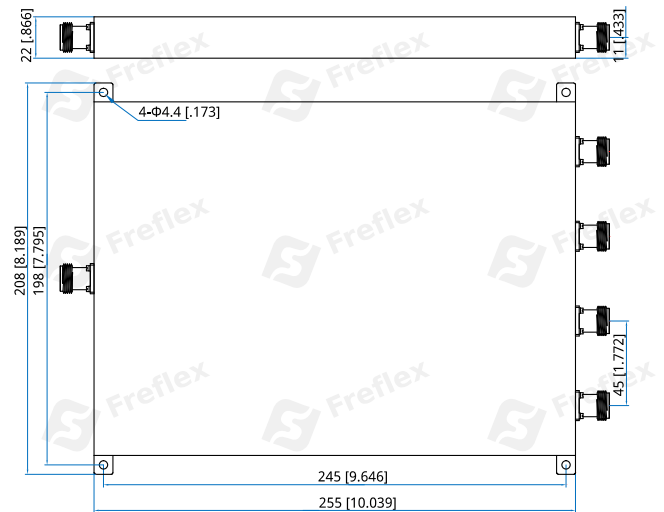
Size <sup>*1</sup> :	255*208*22mm 10.039*8.189*0.866in
Weight:	2400g
Connectors:	N Female
Mounting:	4-Φ4.4mm through-hole

[1] Exclude connectors.

#### Environmental

Operation Temperature: -35~+75°C

#### Outline Drawings



Unit: mm [in]

Tolerance: ±0.5mm [±0.02in]

#### How To Order

**FPD4-136-174-K3-N**

Customization is available upon request.