

FPD4-138-960-50-N

4-Way, 0.138~0.96GHz

Features:

- * Small Size
- * Low Insertion Loss

Applications:

- * Amplifiers
- * Mixers
- * Antennas
- * Laboratory Test

Electrical

Frequency:	0.138~0.96GHz
Insertion Loss:	1dB max.
Input VSWR:	1.25 max.
Output VSWR:	1.2 max.
Isolation:	18dB min.
Amplitude Balance:	±0.2dB
Phase Balance:	±3°
Impedance:	50Ω
Power @SUM Port:	50W max. as divider 3W max. as combiner

Mechanical

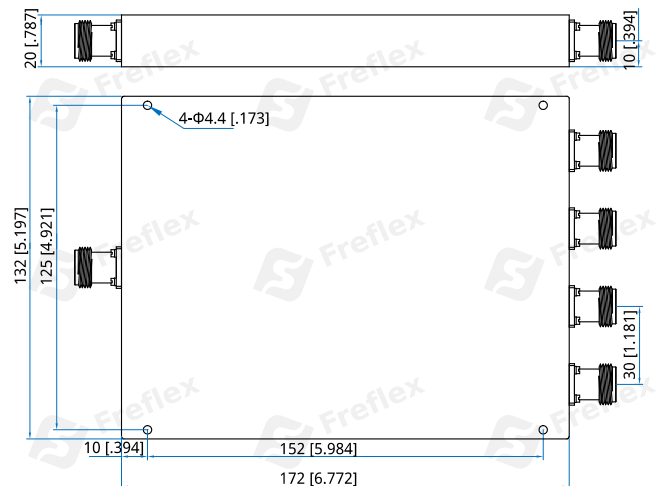
Size ^{*1} :	172*132*20mm 6.772*5.197*0.787in
Weight:	1200g
Connectors:	N Female
Mounting:	4-Φ4.4mm through-hole

[1] Exclude connectors.

Environmental

Operation Temperature:	-35~+75°C
------------------------	-----------

Outline Drawings



Unit: mm [in]

Tolerance: ±0.5mm [±0.02in]

How To Order

FPD4-138-960-50-N

Customization is available upon request.