

FPD4-200-2000-30

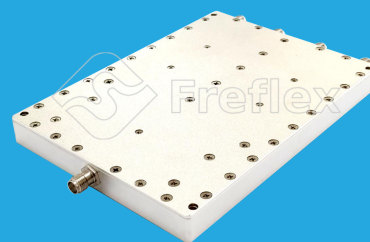
4-Way, 0.2~2GHz

Features:

- * Small Size
- * Low Insertion Loss

Applications:

- * Amplifiers
- * Mixers
- * Antennas
- * Laboratory Test



Electrical

Frequency:	0.2~2GHz
Insertion Loss*1:	1.6dB max.
Input VSWR:	1.3 max.
Output VSWR:	1.2 max.
Isolation:	20dB min.
Amplitude Balance:	±0.3dB
Phase Balance:	±3°
Impedance:	50Ω
Power @SUM Port:	30W max. as divider 2W max. as combiner

[1] Excluding theoretical loss 6.0dB.

Mechanical

Connectors:	SMA Female
Mounting:	4-Φ3.2mm through-hole

Environmental

Operating Temperature:	-35~+75°C
Non-Operating Temperature:	-45~+85°C

How To Order

FPD4-200-2000-30-Y

Y: Connector type

Connector naming rules:

S - SMA Female (Outline A)

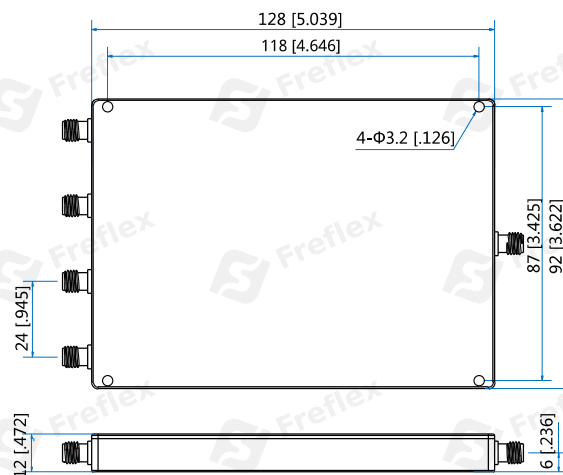
N - N Female (Outline B)

Examples:

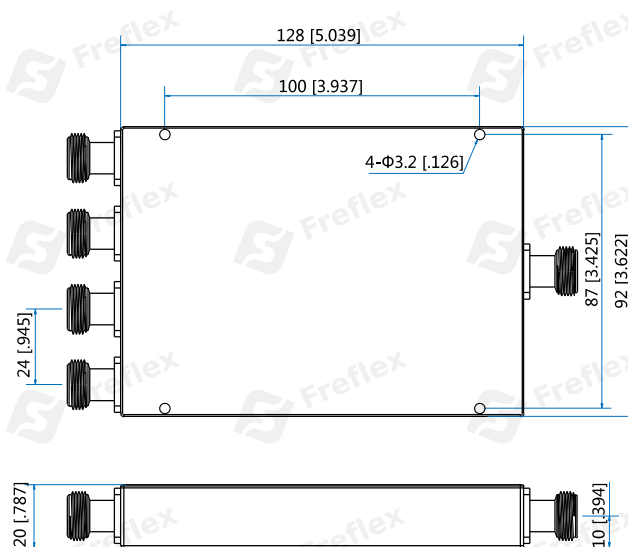
To order a 4-way power divider, 0.2~2GHz, 30W, SMA female, specify FPD4-200-2000-30-S.

Customization is available upon request.

Outline Drawings



Outline A



Outline B

Unit: mm [in]

Tolerance: ±0.5mm [±0.02in]

Typical Performance Curves SMA

