

FPD4-200-3000-30

4-Way, 0.2~3GHz

Features:

- * Small Size
- * Low Insertion Loss

Applications:

- * Amplifiers
- * Mixers
- * Antennas
- * Laboratory Test

Electrical

Frequency:	0.2~3GHz
Insertion Loss:	2dB max.
Input VSWR:	1.35 max.
Output VSWR:	1.2 max.
Isolation:	20dB min.
Amplitude Balance:	±0.3dB
Phase Balance:	±3°
Impedance:	50Ω
Power @SUM Port:	30W max. as divider 2W max. as combiner

Mechanical

Size ^{*1} :	110*100*12mm 4.331*3.937*0.472in
RF Connectors:	SMA Female
Mounting:	4-Φ3.2mm through-hole

[1] Exclude connectors.

Environmental

Operating Temperature:	-35~+75°C
Non-operating Temperature:	-45~+85°C

How To Order

FPD4-200-3000-30-Y

Y: Connector type

Connector naming rules:

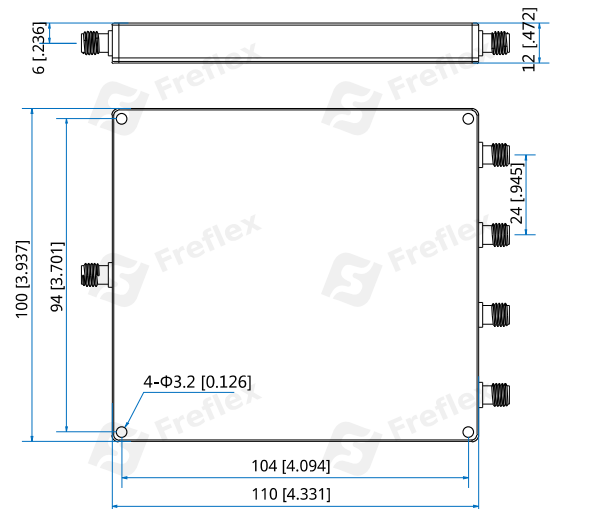
S - SMA Female (Outline A)

N - N Female (Outline B)

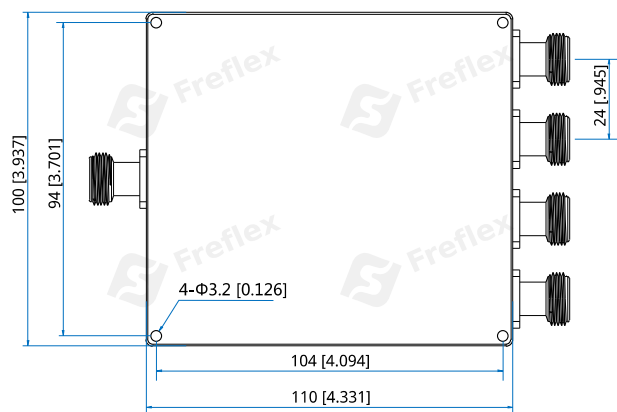
Examples:

To order a 4-way power divider, 0.2~3GHz, 30W, SMA female, specify FPD4-200-3000-30-S.

Customization is available upon request.

Outline Drawings


Outline A



Outline B

Unit: mm [in]
Tolerance: ±0.5mm [±0.02in]