

## FPD4-240-270-K2-N

4-Way, 0.24~0.27GHz

**Features:**

- \* Small Size
- \* Low Insertion Loss

**Applications:**

- \* Amplifiers
- \* Mixers
- \* Antennas
- \* Laboratory Test

### Electrical

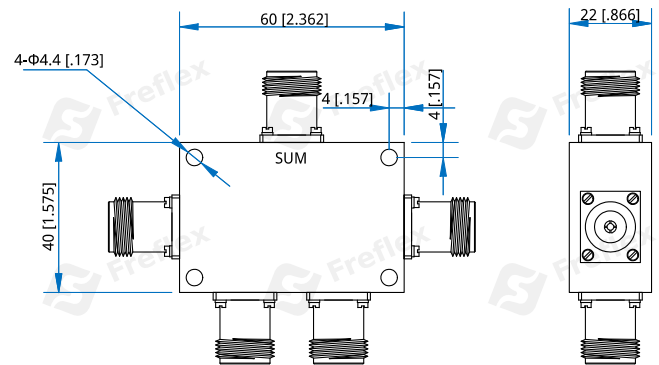
Frequency:	0.24~0.27GHz
Insertion Loss:	0.5dB max.
VSWR:	1.25 max.
Isolation:	20dB min.
Amplitude Balance:	±0.2dB max.
Phase Balance:	±5° max.
Impedance:	50Ω
Power @SUM Port:	200W as divider 200W as combiner

### Mechanical

Size <sup>*1</sup> :	60*40*22mm 2.362*1.575*0.866in
Connectors:	N Female
Mounting:	4-Φ4.4mm through-hole

[1] Exclude connectors.

### Outline Drawings



Unit: mm [in]  
Tolerance: ±0.5mm [±0.02in]

### How To Order

**FPD4-240-270-K2-N**

Customization is available upon request.