

FPD4-2400-6000-K1

4-Way, 2.4~6GHz

Features:

- * Small Size
- * Low Insertion Loss

Applications:

- * Amplifiers
- * Mixers
- * Antennas
- * Laboratory Test

Electrical

Frequency:	2.4~6GHz
Insertion Loss:	1.2dB max.
Input VSWR:	1.3 max.
Output VSWR:	1.2 max.
Isolation:	18dB min.
Amplitude Balance:	0.3dB max.
Phase Balance:	±4°
Impedance:	50Ω
Power @SUM Port:	100W max. as divider 10W max. as combiner

Mechanical

Size ^{*1} :	108*110*22mm 4.252*4.331*0.866in
Weight:	550g
Mounting:	4-Φ4.4mm through-hole

Environmental

Operation Temperature: -35~+75°C

How To Order

FPD4-2400-6000-K1-Y

Y: Connector type

Connector naming rules:

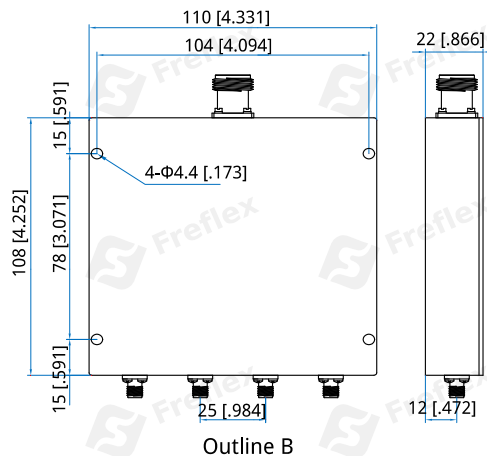
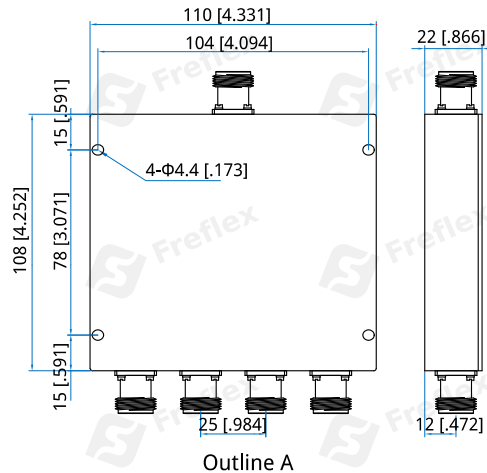
N - N Female (Outline A)

NS - N Female & SMA Female (Outline B)

Examples:

To order a 4-way power divider, 2.4~6GHz, 100W, N female, specify FPD4-2400-6000-K1-N.

Customization is available upon request.

Outline Drawings


Unit: mm [in]

Tolerance: ±0.5mm [±0.02in]