

FPD4-350-3800-30

4-Way, 0.35~3.8GHz

Features:

- * Small Size
- * Low Insertion Loss

Applications:

- * Amplifiers
- * Mixers
- * Antennas
- * Laboratory Test

Electrical

Frequency:	0.35~3.8GHz
Insertion Loss:	1.6dB max. (SMA) 1.8dB max. (N)
Input VSWR:	1.3 max.
Output VSWR:	1.2 max.
Isolation:	18dB min.
Amplitude Balance:	0.3dB max.
Phase Balance:	±4°
Impedance:	50Ω
Power @SUM Port:	30W max. as divider 2W max. as combiner

Mechanical

Mounting:	4-Φ3.2mm through-hole (SMA) 4-Φ4.4mm through-hole (N)
-----------	--

Environmental

Operation Temperature: -35~+75°C

How To Order

FPD4-350-3800-30-Y

Y: Connector type

Connector naming rules:

S - SMA Female (Outline A)

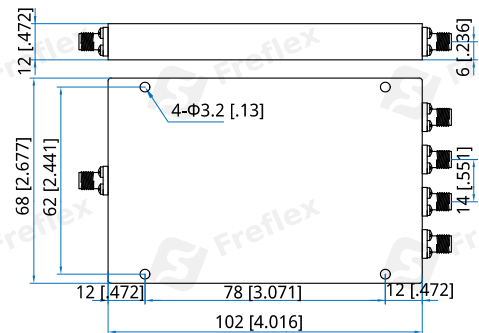
N - N Female (Outline B)

Examples:

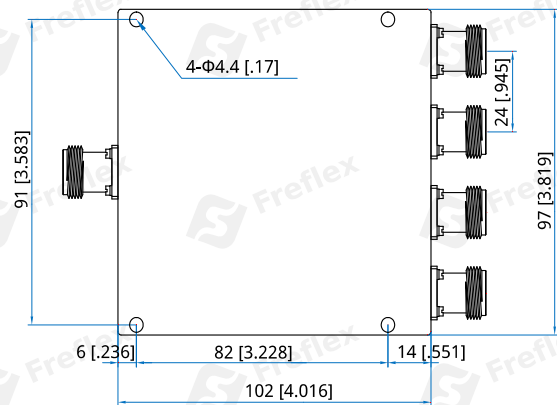
To order a 4-way power divider, 0.35~3.8GHz, 30W, SMA female, specify FPD4-350-3800-30-S.

Customization is available upon request.

Outline Drawings



Outline A



Outline B

Unit: mm [in]

Tolerance: ±0.5mm [±0.02in]