

FPD4-400-8000-30

4-Way, 0.4~8GHz

Features:

- * Small Size
- * Low Insertion Loss

Applications:

- * Amplifiers
- * Mixers
- * Antennas
- * Laboratory Test

Electrical

Frequency:	0.4~8GHz
Insertion Loss:	2dB max. 3.6dB max. (N)
Input VSWR:	1.3 max. 1.4 max. (N)
Output VSWR:	1.2 max. 1.3 max. (N)
Isolation:	18dB min.
Amplitude Balance:	±0.4dB 0.3dB max. (N)
Phase Balance:	±4°
Impedance:	50Ω
Power @SUM Port:	30W max. as divider 1W max. as combiner (SMA) 2W max. as combiner (N)

Mechanical

RF Connectors:	SMA Female, N Female
Mounting:	4-Φ3.2mm through-hole

Environmental

Operation Temperature:	-40~+75°C (SMA) -35~+75°C (N)
------------------------	----------------------------------

How To Order

FPD4-400-8000-30-Y

Y: Connector type

Connector naming rules:

S - SMA Female (Outline A)

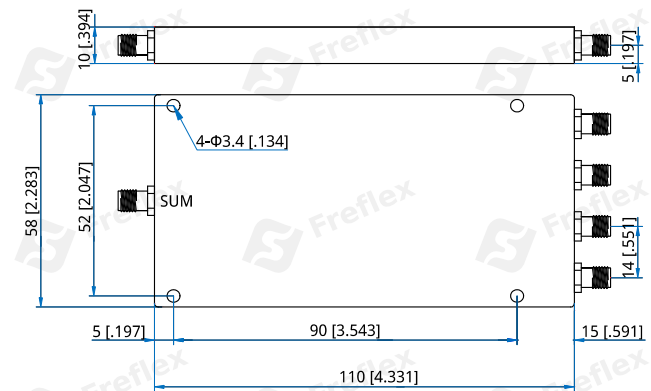
N - N Female (Outline B)

Examples:

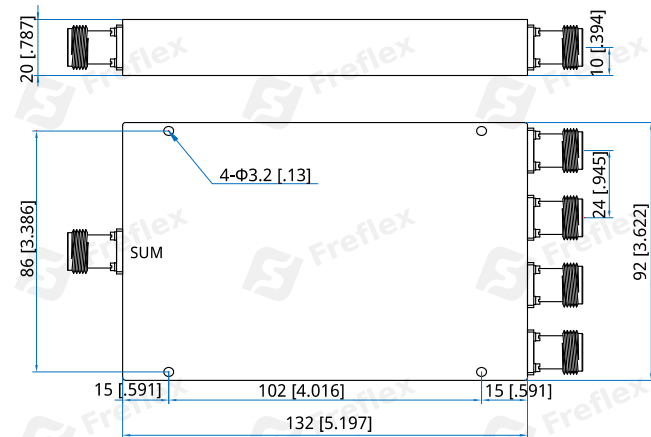
To order a 4-way power divider, 0.4~8GHz, 30W, N female, specify FPD4-400-8000-30-N.

Customization is available upon request.

Outline Drawings



Outline A



Outline B

Unit: mm [in]

Tolerance: ±0.5mm [±0.02in]