

FPD6-0-8000-2-S

6-Way, DC~8GHz, 2W

Features:

- * Broadband
- * Low Insertion Loss
- * High Power

Applications:

- * Amplifiers
- * Mixers
- * Antennas
- * Laboratory Test

Electrical

Frequency:	DC~8GHz
Insertion Loss:	18dB max.
VSWR	1.5 Max.
Isolation:	15dB min.
Amplitude Balance:	±2dB
Impedance:	50Ω
Power @SUM Port:	2W max. as divider

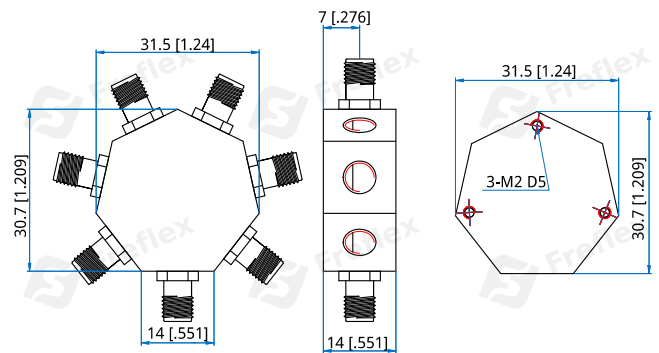
Mechanical

Size ^{*1} :	30.7*31.5*14mm 1.209*1.24*0.551in
Connectors:	SMA Female
Mounting:	3-M2 depth 5

[1] Exclude connectors.

Environmental

Operation Temperature:	-35~+75°C
------------------------	-----------

Outline Drawings


Unit: mm [in]

Tolerance: ±0.5mm [±0.02in]

How To Order

FPD6-0-8000-2-S

Customization is available upon request.