

FPD6-700-2700-40-S

6-Way, 0.7~2.7GHz

Features:
 * Small Size
 * Low Insertion Loss

Applications:
 * Amplifiers
 * Mixers
 * Antennas
 * Laboratory Test

Electrical

Frequency:	0.7~2.7GHz
Insertion Loss:	1.0dB max.
Input VSWR:	1.3 max.
Output VSWR:	1.2 max.
Isolation:	20dB min.
Amplitude Balance:	0.5dB max.
Phase Balance:	±6°
Impedance:	50Ω
Power @SUM Port:	40W max. as divider 2.5W max. as combiner

Mechanical

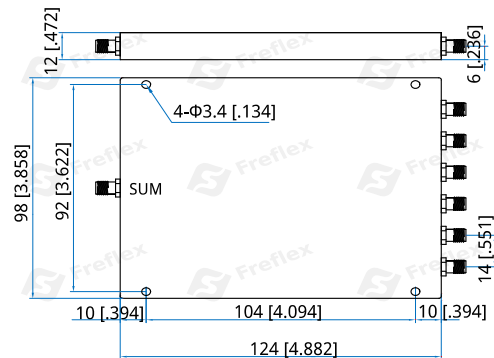
Size ^{*1} :	124*98*12mm 4.882*3.858*0.472in
Connectors:	SMA Female
Mounting:	4-Φ3.4mm through-hole

[1] Exclude connectors.

Environmental

Operation Temperature:	-35~+75°C
------------------------	-----------

Outline Drawings



Unit: mm [in]
 Tolerance: ±0.5mm [±0.02in]

How To Order

FPD6-700-2700-40-S

Customization is available upon request.