

## FPD8-0-26500-2-S

### 8-Way, DC~26.5GHz, 2W

Features:  
 \* Small Size  
 \* Low Insertion Loss

Applications:  
 \* Amplifiers  
 \* Mixers  
 \* Antennas  
 \* Laboratory Test

#### Electrical

Frequency:	DC~26.5GHz
Insertion Loss <sup>*1</sup> :	3dB max.
VSWR:	1.6 max.
Isolation:	18dB typ.
Amplitude Balance:	±2dB
Phase Balance:	±2°
Impedance:	50Ω
Power @SUM Port:	2W as divider

[1] Excluding theoretical loss 18.0dB.

#### Mechanical

Size <sup>*2</sup> :	46.17*43.8*8mm 1.818*1.724*0.315in
Connectors:	SMA Female
Mounting:	5-Φ2.2mm through-hole

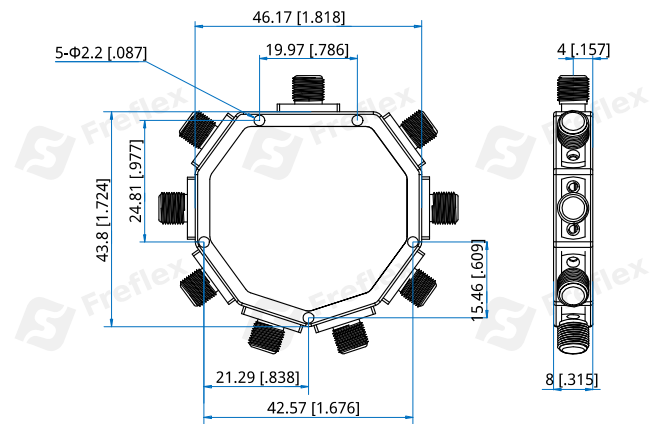
[2] Exclude connectors.

#### Environmental

Operation Temperature:	-35~+75°C
------------------------	-----------

Customization is available upon request.

#### Outline Drawings



Unit: mm [in]  
 Tolerance: ±0.5mm [±0.02in]

#### How To Order

**FPD8-0-26500-2-S**