

FPD8-500-8000-20

8-Way, 0.5~8GHz

Features:

- * Small Size
- * Low Insertion Loss

Applications:

- * Amplifiers
- * Mixers
- * Antennas
- * Laboratory Test

Electrical

Frequency:	0.5~8GHz
Insertion Loss:	3.0dB max. (SMA) 4.0dB max. (N)
Input VSWR:	1.5 max.
Output VSWR:	1.4 max. (SMA) 1.25 max. (N)
Isolation:	18dB min.
Amplitude Balance:	0.4dB max.
Phase Balance:	±5°
Impedance:	50Ω
Power @SUM Port:	20W max. as divider 1W max. as combiner

Mechanical

Mounting:	4-Φ2.8mm through-hole (SMA) 6-Φ4.2mm through-hole (N)
-----------	--

Environmental

Operation Temperature: -45~+85°C

How To Order

FPD8-500-8000-20-Y

Y: Connector type

Connector naming rules:

S - SMA Female (Outline A)

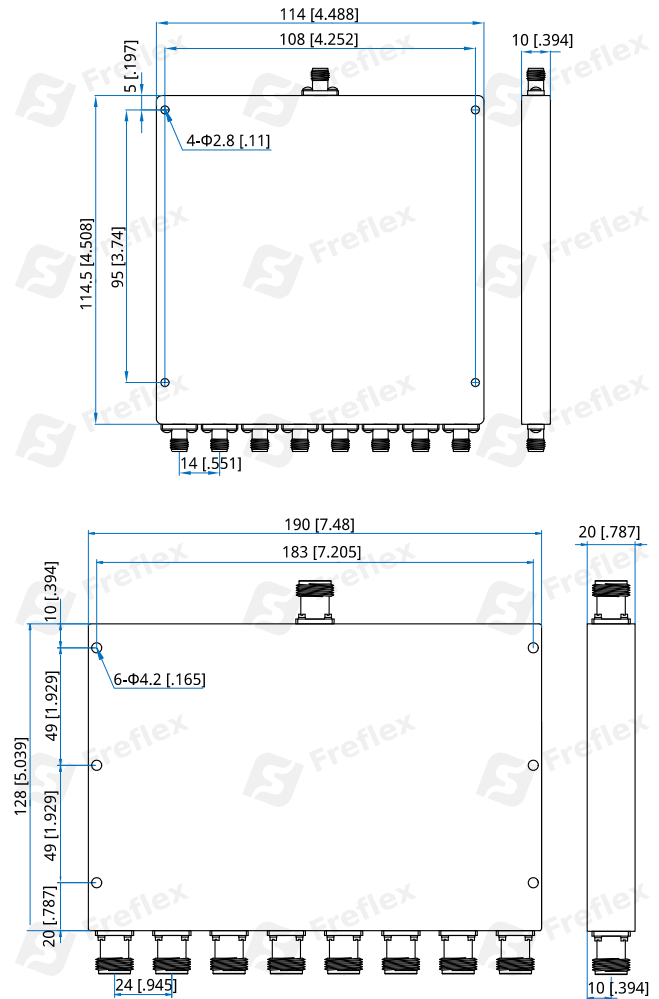
N - N Female (Outline B)

Examples:

To order a 8-way power divider, 0.5~8GHz, 20W, N female, specify FPD8-500-8000-20-N.

Customization is available upon request.

Outline Drawings



Unit: mm [in]
Tolerance: ±0.5mm [±0.02in]