

## FDHC9-100-520-K2

0.1~0.52GHz, 200W

### Features:

- \* Broadband
- \* High Power
- \* Low Insertion Loss

### Applications:

- \* Amplifiers
- \* Transmitter
- \* Laboratory Test
- \* Radar

### Electrical

Frequency:	0.1~0.52GHz
Insertion Loss:	0.45dB max.
VSWR:	1.3 max.
Isolation:	17dB min.
Amplitude Balance:	±0.75dB max.
Phase Balance:	±5° max.
Average Power:	200W

### Mechanical

Size: 83.82\*38.1\*7.32mm  
3.3\*1.5\*0.288in

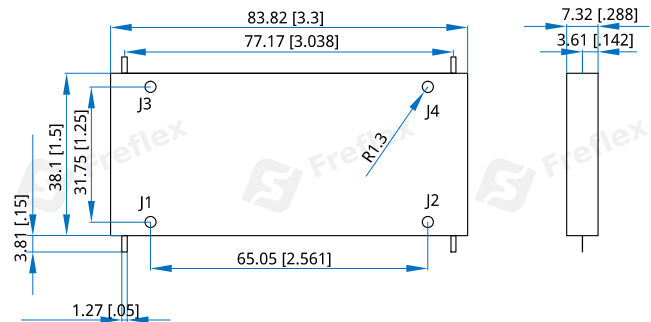
### Port Configuration

Input	J1	J2	J3	J4
J1	-	Isolation	0°	-90°
J2	Isolation	-	-90°	0°
J3	0°	-90°	-	Isolation
J4	-90°	0°	Isolation	-

### Environmental

Operating Temperature: -55~+85°C

### Outline Drawings



Unit: mm [in]

Tolerance: ±0.5mm [±0.02in]

### How To Order

**FDHC9-100-520-K2**

Customization is available upon request.