

FHC9-2000-2300-K1-S

2~2.3GHz, 100W

Features:
 * Broadband
 * High Power
 * Low Insertion Loss

Applications:
 * Amplifiers
 * Transmitter
 * Laboratory Test
 * Radar

Electrical

| | |
|--------------------|-------------|
| Frequency: | 2~2.3GHz |
| Insertion Loss: | 0.35dB max. |
| VSWR: | 1.2 max. |
| Isolation: | 20dB min. |
| Amplitude Balance: | ±0.2dB max. |
| Phase Balance: | ±3° max. |
| Impedance: | 50Ω |
| Average Power: | 100W |

Mechanical

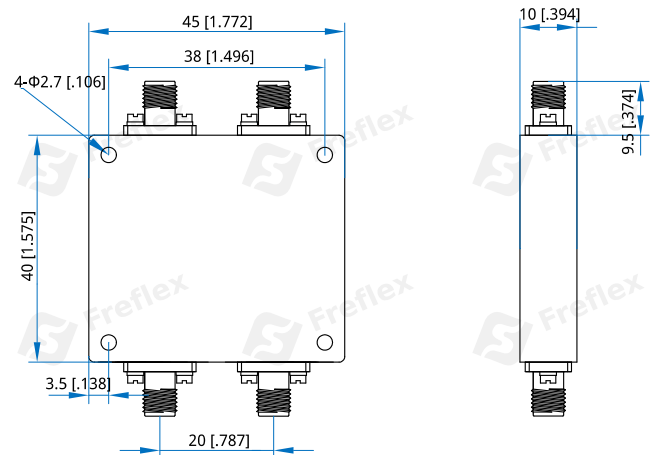
| | |
|----------------------|-----------------------------------|
| Size ^{*1} : | 45*40*10mm 1.772*1.575*0.394in |
| Connectors: | SMA Female |
| Mounting: | 4-Φ2.7mm through-hole |

[1] Exclude connectors.

Environmental

| | |
|------------------------|-----------|
| Operation Temperature: | -40~+85°C |
|------------------------|-----------|

Outline Drawings



Unit: mm [in]
 Tolerance: ±0.2mm [±0.008in]

How To Order
FHC9-2000-2300-K1-S

Customization is available upon request.