

FHC9-2700-3500-K5-N

2.7~3.5GHz, 500W

Features:
 * Broadband
 * High Power
 * Low Insertion Loss

Applications:
 * Amplifiers
 * Transmitter
 * Laboratory Test
 * Radar

Electrical

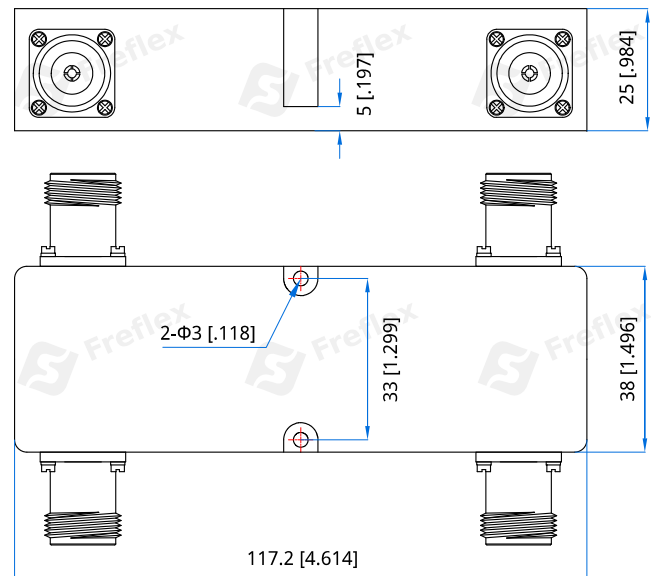
Frequency:	2.7~3.5GHz
Insertion Loss:	0.5dB max.
VSWR:	1.5 max.
Isolation:	16dB min.
Phase Balance:	8° max.
Amplitude Balance:	±0.8dB max.
Average Power:	500W max.
Peak Power:	2KW max.

Mechanical

Size ^{*1} :	117.2*38*25mm 4.614*4.1496*0.984in
RF Connectors:	N Female
Mounting:	2-Φ3mm through-hole

[1] Exclude connectors.

Outline Drawings



Unit: mm [in]

Tolerance: ±0.2mm [±0.008in]

How To Order

FHC9-2700-3500-K5-N

Customization is available upon request.