

FHC9-3000-9000-1-S

3~9GHz, 1W

Features:

- * Broadband
- * High Power
- * Low Insertion Loss

Applications:

- * Amplifiers
- * Transmitter
- * Laboratory Test
- * Radar

Electrical

Frequency:	3~9GHz
Insertion Loss:	0.35dB max.
VSWR:	1.4 max.
Isolation:	20dB min.
Amplitude Balance:	±1dB max.
Phase Balance:	±1° max.
Average Power:	1W
Impedance:	50Ω

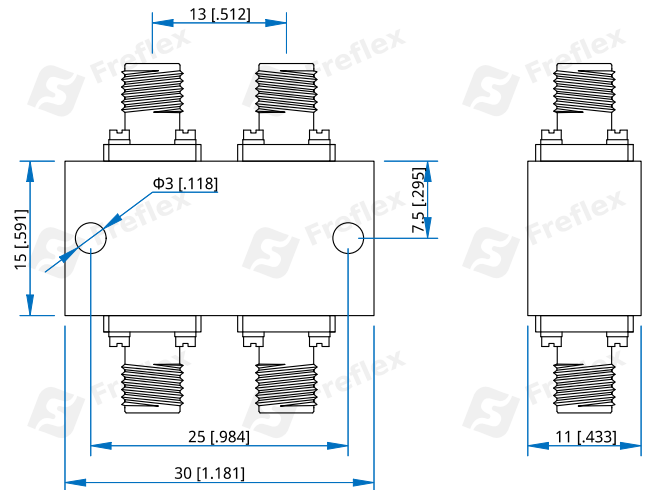
Mechanical

Size ^{*1} :	30*15*11mm
	1.181*0.591*0.433in
RF Connectors:	SMA Female
Mounting:	2-Φ3mm through hole

[1] Exclude connectors.

Environmental

Temperature:	-45~+85°C
--------------	-----------

Outline Drawings


Unit: mm [in]

Tolerance: ±0.3mm [±0.012in]

How To Order

FHC9-3000-9000-1-S

Customization is available upon request.