

FHC9-400-500-10-S

0.4~0.5GHz, 10W

Features:

- * Broadband
- * High Power
- * Low Insertion Loss

Applications:

- * Amplifiers
- * Transmitter
- * Laboratory Test
- * Radar

Electrical

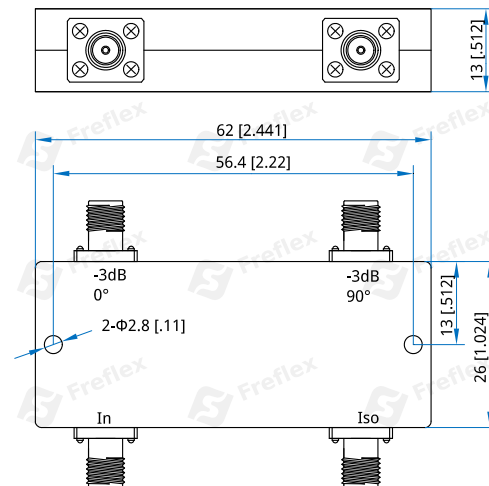
Frequency:	0.4~0.5GHz
Insertion Loss:	0.5dB max.
Isolation:	20dB min.
VSWR:	1.3 max.
Amplitude Balance:	±0.5dB
Phase Balance:	±3°
Average Power:	10W
Impedance:	50Ω

Mechanical

Size ^{*1} :	62*26*13mm 2.441*1.024*0.512in
RF Connectors:	SMA Female
Mounting:	2-Φ2.8mm through-hole

[1] Exclude connectors.

Outline Drawings



Unit: mm [in]

Tolerance: ±0.2mm [±0.008in]

How To Order

FHC9-400-500-10-S

Customization is available upon request.