

## FHC9-5700-5900-30-S

5.7~5.9GHz, 30W

Features:  
 \* Broadband  
 \* High Power  
 \* Low Insertion Loss

Applications:  
 \* Amplifiers  
 \* Transmitter  
 \* Laboratory Test  
 \* Radar

### Electrical

Frequency:	5.7~5.9GHz
Insertion Loss:	0.5dB max.
VSWR:	1.25 max.
Isolation:	23dB min.
Amplitude Balance:	±0.3dB max.
Phase Balance:	±3°
Average Power:	30W max.
Impedance:	50Ω

### Mechanical

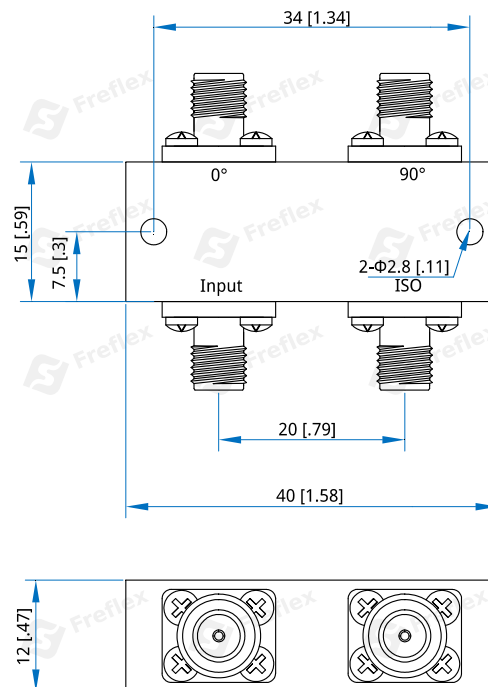
Size <sup>*1</sup> :	40*15*12mm 1.58*0.59*0.47in
RF Connectors:	SMA Female
Mounting:	2-Φ2.8mm through hole

[1] Exclude connectors.

### Environmental

Temperature:	-45~+85°C
--------------	-----------

### Outline Drawings



Unit: mm [in]  
 Tolerance: ±0.5mm [±0.02in]

### How To Order

**FHC9-5700-5900-30-S**

Customization is available upon request.