

## FHC9-80-1000-K2-N

0.08~1GHz, 200W

### Features:

- \* Broadband
- \* High Power
- \* Low Insertion Loss

### Applications:

- \* Amplifiers
- \* Transmitter
- \* Laboratory Test
- \* Radar

### Electrical

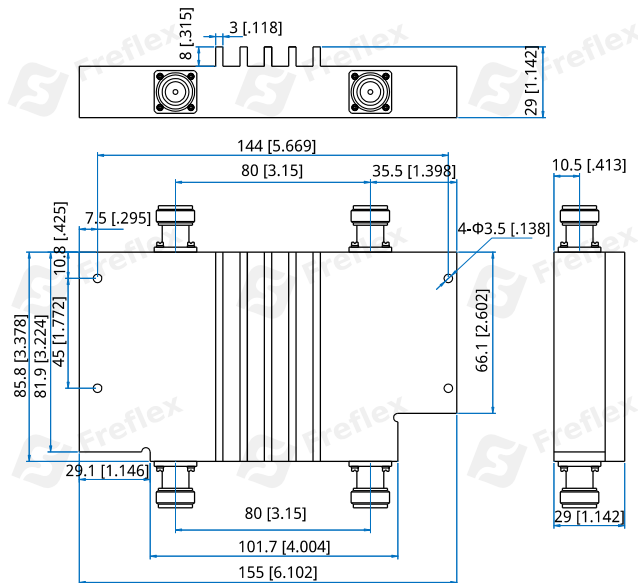
Frequency:	0.08~1GHz
Insertion Loss:	0.9dB max.
VSWR:	1.35 max.
Isolation:	16dB min.
Amplitude Balance:	±1.3dB max.
Phase Balance:	±8° max.
Average Power:	200W max.
Impedance:	50Ω

### Mechanical

Size <sup>*1</sup> :	155*85.8*29mm 6.102*3.378*1.142in
RF Connectors:	N Female
Mounting:	4-Φ3.5mm through-hole

[1] Exclude connectors.

### Outline Drawings



Unit: mm [in]

Tolerance: ±0.5mm [±0.02in]

### How To Order

**FHC9-80-1000-K2-N**

Customization is available upon request.