

# FHC9-800-4500-K125-S

0.8~4.5GHz, 125W

Features:  
 \* Broadband  
 \* High Power  
 \* Low Insertion Loss

Applications:  
 \* Amplifiers  
 \* Transmitter  
 \* Laboratory Test  
 \* Radar

## Electrical

Frequency:	0.8~4.5GHz
Insertion Loss:	1.8dB max.
Isolation:	12dB min.
VSWR:	1.7 max.
Amplitude Balance:	±1.8dB max.
Phase Balance:	±15° max.
Average Power:	125W

## Mechanical

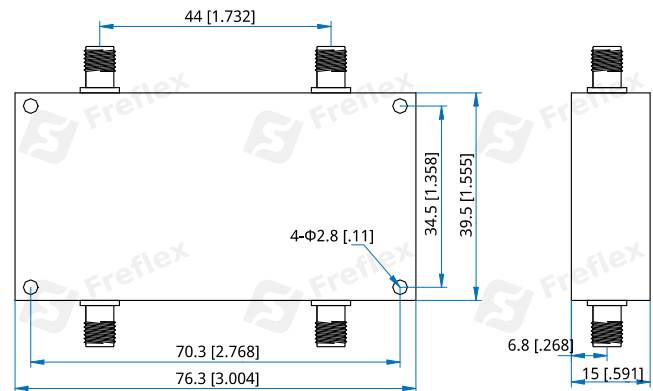
Size <sup>*1</sup> :	76.3*39.5*15mm 3.004*1.555*0.591in
RF Connectors:	SMA Female
Mounting:	4-Φ2.8mm through-hole

[1] Exclude connectors.

## Environmental

Operating Temperature:	-55~+85°C
------------------------	-----------

## Outline Drawings



Unit: mm [in]

Tolerance: ±0.3mm [±0.012in]

## How To Order

**FHC9-800-4500-K125-S**

Customization is available upon request.