

FCG-MO-M

SSMP Connector, DC~65GHz

Features:
* Low VSWR

Applications:
* Wireless
* Radar
* Instruments
* Electronics

Electrical

Frequency: DC~65GHz
VSWR: 1.25 max.
Impedance: 50Ω

Mechanical

RF Connector*1: SSMP male
Bead: 7070
Outer Conductor: Gold plated keval 4J29
Inner Conductor: Gold plated keval 4J29

[1] Mateable with GPPO, SMPM & Mini-SMP.

How To Order

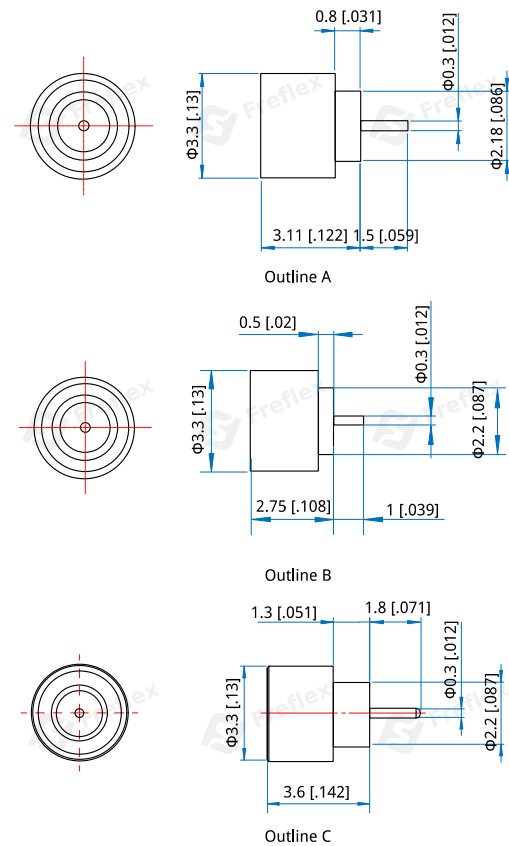
[FCG-MO-M30-01](#) - Outline A

[FCG-MO-M30-02](#) - Outline B

[FCG-MO-M30-03](#) - Outline C

Customization is available upon request.

Outline Drawings



Unit: mm [in]
Tolerance: ±0.2mm [±0.008in]