

# FCS-FL2G-D

## SMA Connector, DC~26.5GHz

Features:  
\* Low VSWR

Applications:  
\* Wireless  
\* Radar  
\* Instruments  
\* Electronics

### Electrical

Frequency:	DC~26.5GHz
VSWR:	1.15 max.
Impedance of Dielectric:	5000MΩ min.
Impedance of Inner Conductor:	3mΩ max.
Impedance of Outer Conductor:	2mΩ max.
Voltage Withstand:	1000V DC
Impedance:	50Ω

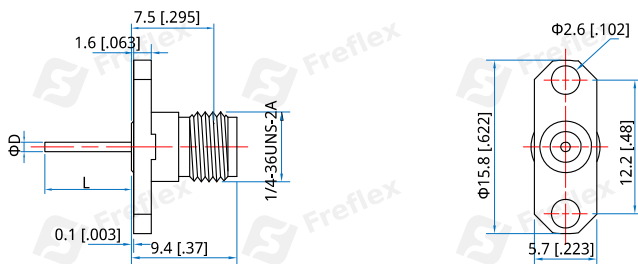
### Mechanical

RF Connector:	SMA Female
Mating Life Cycle:	500 cycles
Outer Conductor:	Passivated SUS303 Stainless Steel
Dielectric:	PEI & PTFE
Inner Conductor:	Gold Plated Beryllium Copper

### Environmental

Temperature: -55~+165°C

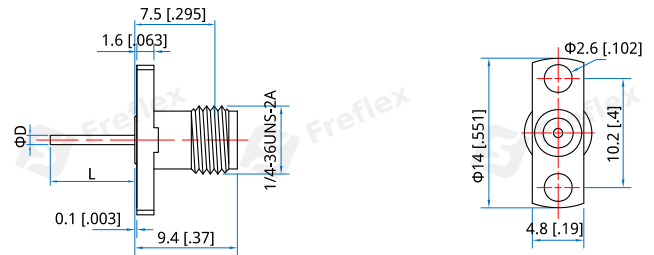
### Outline Drawings



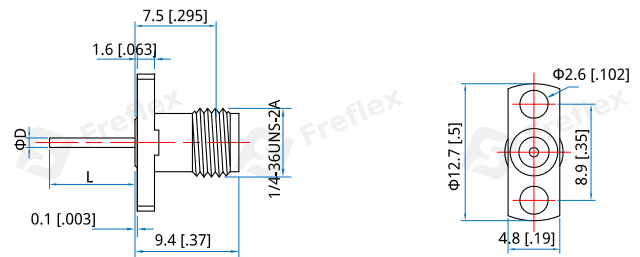
Part Number	ΦD	L
FCS-FL2G-D64-01	0.64 [025]	18 [71]
FCS-FL2G-D87-02	0.87 [034]	26 [1.024]
FCS-FL2G-D87-03	0.87 [034]	10.92 [43]

Unit: mm [in]

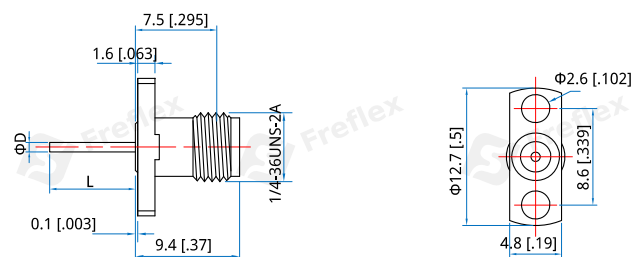
Tolerance: ±0.2mm [±0.008in]



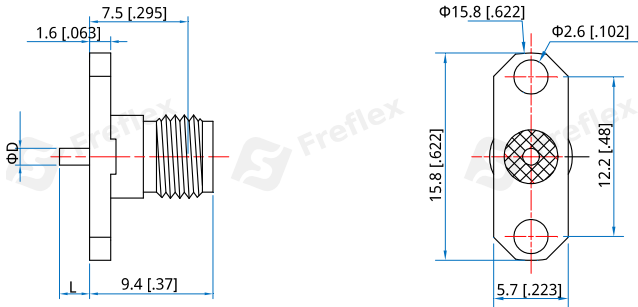
Part Number	ΦD	L
FCS-FL2G-D64-04	0.64 [025]	18 [71]
FCS-FL2G-D87-05	0.87 [034]	26 [1.024]
FCS-FL2G-D87-06	0.87 [034]	10.92 [43]



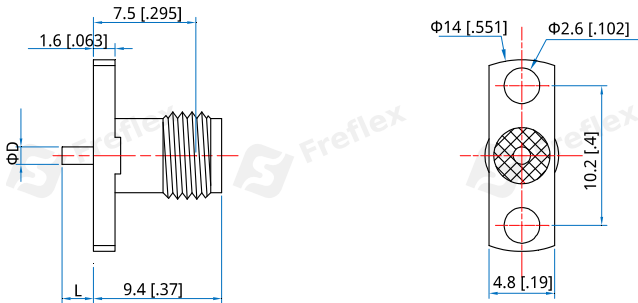
Part Number	ΦD	L
FCS-FL2G-D64-07	0.64 [025]	18 [71]
FCS-FL2G-D87-08	0.87 [034]	26 [1.024]
FCS-FL2G-D87-09	0.87 [034]	10.92 [43]



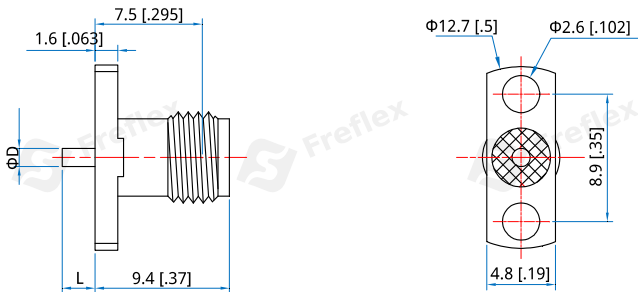
Part Number	ΦD	L
FCS-FL2G-D64-10	0.64 [025]	18 [71]
FCS-FL2G-D87-11	0.87 [034]	26 [1.024]
FCS-FL2G-D87-12	0.87 [034]	10.92 [43]



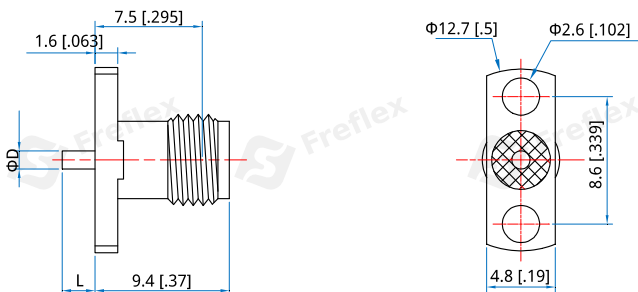
Part Number	$\Phi D$	L
FCS-FL2G-D127-13	1.27 [0.05]	2.3 [0.09]



Part Number	$\Phi D$	L
FCS-FL2G-D127-14	1.27 [0.05]	2.3 [0.09]



Part Number	$\Phi D$	L
FCS-FL2G-D127-15	1.27 [0.05]	2.3 [0.09]



Part Number	$\Phi D$	L
FCS-FL2G-D127-16	1.27 [0.05]	2.3 [0.09]